

Ball-Float Valve

Pressure Rating: PN 10
Material of Construction: Ductile Cast Iron GGG 40/50



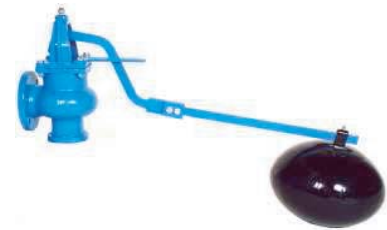
DN 40 - DN 500

Catalogue No: 9-2240010-B

Range of application: Potable water				
Size DN	Pressure rating PN	Hydrotest pressure in bar		Admissible working pressure in bar up to 70°C
		Body	Seat	
40 - 500	10	15	10	10

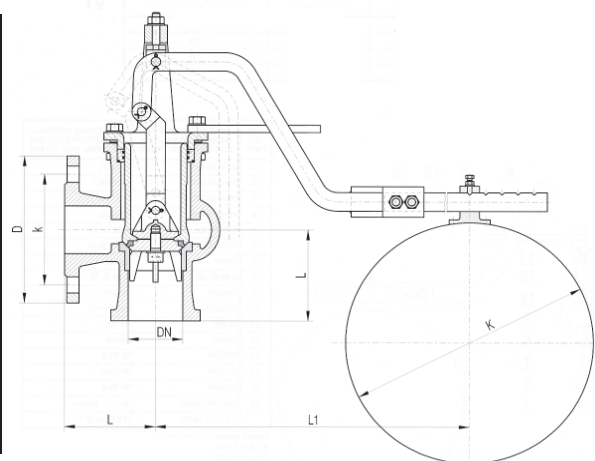
In case of order please specify the working conditions

Materials / Equipment	
Catalogue No.	9-2240010-B
Body	GGG 40/50
Yoke	GGG 40/50
Piston	GGG 40 chromium plated
Retaining ring	GGG 40/50
Throttle cone	Stainless steel
Body seat	Alu-bronze
Pistone sealing	EPDM
Piston guide	Alu-bronze
Lever	Stainless steel
Float ball	Stainless steel
Bolts and nuts	Stainless steel A2
Corrosion protection	Epoxy powder coated RAL 5015



size	Dimensions						Weight kg	Volume m³
	DN mm	L mm	H mm	L1 mm	K mm	D mm		
40	90	250	510	270	150	110	17	0.09
50	100	270	620	270	165	125	20	0.10
65	120	290	800	300	185	145	30	0.13
80	130	300	900	300	200	160	35	0.14
100	150	360	1100	350	220	180	55	0.19
125	175	400	1200	350	250	210	72	0.22
150	200	450	1250	400	285	240	95	0.33
200	250	620	1300	400	340	295	195	0.40
250	300	690	1560	500	395	350	280	0.55
300	350	750	1750	500	445	400	370	0.66
400	450	900	2270	530	565	515	690	1.26
500	550	1080	2500	530	670	620	1,020	1.75

We reserve the right to make technical modifications



SAUDI VALVES MANUFACTURING

Tel.: +966 3 341 8514 - Fax: +966 3 341 8515
P. O. Box 10137 Jubail Industrial City, 31961 The Kingdom of Saudi Arabia
E-mail: info@saudivalves.com - Internet: www.saudivalves.com



N° 215125