

Needle Valve

PN 10 of ductile cast iron GGG
DN 300 - DN 1600



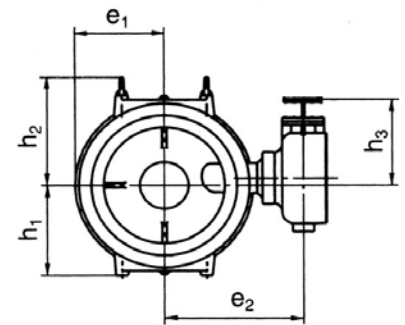
Range of application: water

Size DN	Pressure rating PN	Hydrost. test press. in bars		max. admissible working pressure in bars at a working temperature up to 60 °C
		body water	seat water	
300 - 1600	10	15	10	10

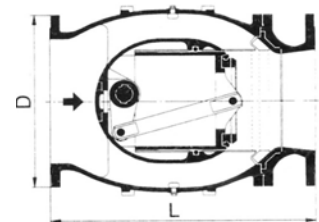
When placing the order, please specify application, kind of water, maximum and minimum flow rates pressure upstream and down stream of the the plunger valves as well as installation conditions

Materials/Equipments

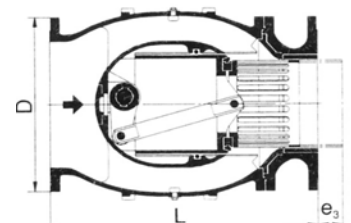
Catalogue No.	12-2010010
Body	Ductile Cast Iron GGG 40
Body outlet	Ductile Cast Iron GGG 40
Piston guide	EPDM rubber
Piston	Stainless steel
Vaned ring	Stainless steel
Seals	EPDM rubber
Shaft	Stainless steel
Crank	Stainless steel
Crank shaft	Stainless steel
Push rod	Stainless steel
Sealing	EPDM rubber
Corrosion protection	Epoxy resin
Gearbox	AUMA Gearbox with handwheel



Size DN mm	Face-to-face dimension L mm	Flange diameter D mm	Hand- wheel dia. d mm	Height			Space requirement			Weight kg	Volume m³
				h ₁ mm	h ₂ mm	h ₃ mm	e ₁ mm	e ₂ mm	e ₃ mm		
300	600	445	350	256	319	244	235	357	100	260	0,32
350	700	505	350	287	350	244	285	405	70	425	0,60
400	800	565	350	355	420	244	330	465	68	570	0,74
450	900	615	350	395	460	265	370	515	75	775	1,05
500	1000	670	350	435	525	265	410	550	105	880	1,25
600	1200	780	350	510	620	440	485	645	95	1.670	1,85
700	1400	895	350	565	675	440	540	725	88	2.150	2,50
800	1600	1015	450	660	730	505	615	810	55	3.280	3,55
900	1800	1115	450	730	840	505	690	885	-	4.280	4,95
1000	2000	1230	450	800	950	540	775	1080	-	5.660	6,70
1200	2400	1455	450	960	1130	540	920	1290	-	8.210	11,24
1400	2800	1675	450	1120	1290	760	1065	1510	-	10.230	13,50
1600	3200	1915	500	1280	1450	760	1220	1710	-	16.105	18,20



with vaned ring



with slotted cylinder

SAUDI VALVES MANUFACTURING

Tel.: +966 3 341 8514 - Fax: +966 3 341 8515

P. O. Box 10137 Jubail Industrial City, 31961 The Kingdom of Saudi Arabia

E-mail: info@saudivalves.com - Internet: www.saudivalves.com



N°215125