

Needle Valve

PN 16 of ductile cast iron GGG
DN 300 - DN 1600



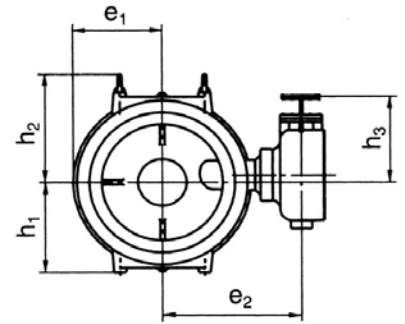
Range of application: water

Size DN	Pressure rating PN	Hydrost. test press. in bars		max. admissible working pressure in bars at a working temperature up to 60 °C
		body water	seat water	
300 - 1600	16	24	16	16

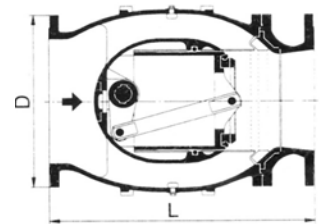
When placing the order, please specify application, kind of water, maximum and minimum flow rates pressure upstream and down stream of the the plunger valves as well as installation conditions

Materials/Equipments

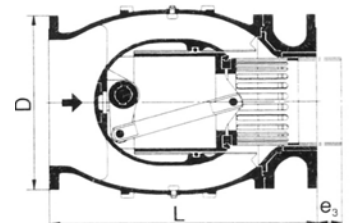
Catalogue No.	12-2010016
Body	Ductile Cast Iron GGG 40
Body outlet	Ductile Cast Iron GGG 40
Piston guide	EPDM rubber
Piston	Stainless steel
Vaned ring	Stainless steel
Seals	EPDM rubber
Shaft	Stainless steel
Crank	Stainless steel
Crank shaft	Stainless steel
Push rod	Stainless steel
Sealing	EPDM rubber
Corrosion protection	Epoxy resin
Gearbox	AUMA Gearbox with handwheel



Size DN mm	Face-to-face dimension L mm	Flange diameter D mm	Hand- wheel dia. d mm	Height			Space requirement			Weight kg	Volume m³
				h ₁ mm	h ₂ mm	h ₃ mm	e ₁ mm	e ₂ mm	e ₃ mm		
300	600	460	350	256	319	244	235	357	100	260	0,32
350	700	520	350	287	350	244	285	407	70	445	0,60
400	800	580	350	355	420	244	330	465	68	595	0,74
450	900	670	350	395	460	265	370	515	75	821	1,05
500	1000	715	350	435	525	265	410	550	105	932	1,25
600	1200	840	450	510	620	440	485	645	95	1.705	1,85
700	1400	910	450	565	675	440	540	725	88	2.085	2,50
800	1600	1025	450	660	730	505	615	810	55	3.210	3,55
900	1800	1125	450	730	840	505	690	885	-	4.200	4,95
1000	2000	1255	450	800	950	540	775	1080	-	5.695	6,70
1200	2400	1485	500	960	1130	540	920	1290	-	8.450	11,24
1400	2800	1685	500	1120	1290	760	1065	1510	-	10.750	13,50
1600	3200	1930	500	1280	1450	760	1220	1710	-	16.850	18,20



with vaned ring



with slotted cylinder

SAUDI VALVES MANUFACTURING

Tel.: +966 3 341 8514 - Fax: +966 3 341 8515
P. O. Box 10137 Jubail Industrial City, 31961 The Kingdom of Saudi Arabia
E-mail: info@saudivalves.com - Internet: www.saudivalves.com



N°215125

20.03.2009