



# Fire Hydrant acc. AWWA C 502-94

Socket or Flanged Connection

Changeable Outlets, and Seats

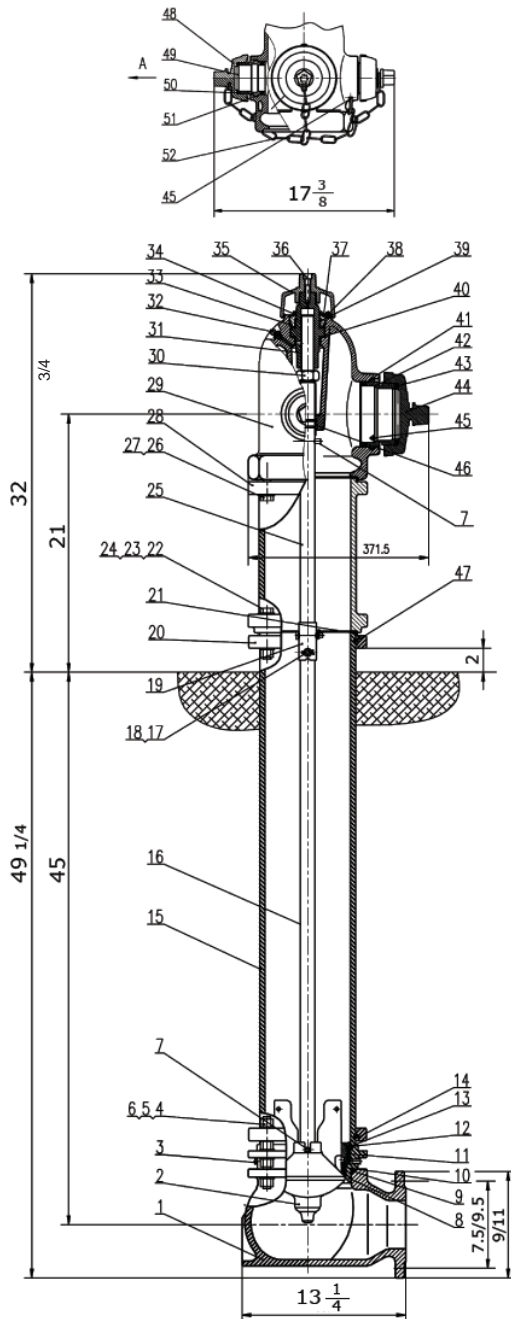
Traffic Section, Outlets 360° Adjustable

2 x 2 1/2" Hose Nozzles NFPA -Thread and 1 x 4 or 4 1/2" Pumper Nozzle NFPA-Thread

Catalogue No. 12 – 2370015

Application: Water

Size Inch	Pressure rating PSI	Hydrostatic test press. in PSI body water seat water		Max. admissible working pressure in bars at a working temperature PSIG up to 70 °C	Weight
4	150	300	200	150	145 Kgs
6	150	300	200	150	



Item	Part Name	Qty	Material
1	Body	1	ASTM A536 45 12
2	Disk	1	DI, NRB Vulcanized
3	Outlet	2	ASTM B62 C83600
4	Bolt M16x150	4	Carbon Steel, Zn Plated
5	Nut M16	16	Carbon Steel, Zn Plated
6	Washer 16	16	Carbon Steel, Zn Plated
7	Pin	2	SS304
8	Draining Flange	1	ASTM A536 45 12
9	O-Ring175x7	1	NBR
10	O-Ring150x5.3	1	NBR
11	Draining Ring	1	ASTM B62 C83600
12	O-Ring175x7	1	NBR
13	O-Ring155x5.3	1	NBR
14	Seat	1	ASTM B62 C83600
15	Down Pipe	1	ASTM A536 45 12
16	Down Stem	1	AISI 1045
17	Pin	2	SS304
18	Opening Pin	2	SS304
19	Cupling	1	SS304
20	Flange	2	ASTM A536 45 12
21	Gasket	2	NBR
22	Bolt M16x95	4	Carbon Steel, Zn Plated
23	Nut M16	4	Carbon Steel, Zn Plated
24	Washer 16	4	Carbon Steel, Zn Plated
25	Up Stem	1	AISI 1045
26	Bolt M16x60	4	Carbon Steel, Zn Plated
27	Washer 16	4	Carbon Steel, Zn Plated
28	Up Pipe	1	ASTM A536 45 12
29	Bonnet	1	ASTM A536 45 12
30	Stop Nut	1	Carbon Steel, Zn Plated
31	Stem Nut	1	ASTM B62 C83600
32	Oil inlet	1	ASTM B16 C36000
33	O-Ring65x3.55	1	NBR
34	O-Ring 47.5x3.55	1	NBR
35	Cup	1	ASTM A536 45 12
36	Bolt M10x40	1	Carbon Steel
37	Plate	1	SS304
38	Bolt M 5x10	1	Carbon Steel
39	Gland	1	ASTM B62 C83600
40	Washer	2	PTFE
41	O-Ring 122x7	1	NBR
42	Pumper Nozzle	1	ASTM B62 C83600
43	Gasket	1	NBR
44	Bigger Nozzle Cup	1	ASTM A536 45 12
45	Bolt M10x16	3	Carbon Steel, Zn Plated
46	O-Ring 32x3.55	2	NBR
47	Spring Ring	2	SS304
48	Smaller Nozzle Cup	2	ASTM A536 45 12
49	Smaller Gasket	2	NBR
50	Inlet Nozzle	2	ASTM B62 C83600
51	O-Ring 60x7	1	NBR
52	Chain	1	Carbon Steel, Zn Plated

## SAUDI VALVES MANUFACTURING

Tel.: +966 3 341 8514 - Fax: +966 3 341 8515

P. O. Box 10137 Jubail Industrial City, 31961 The Kingdom of Saudi Arabia

E-mail: [info@saudivalves.com](mailto:info@saudivalves.com) - Internet: [www.saudivalves.com](http://www.saudivalves.com)

ISO 9001

BUREAU VERITAS  
Certification



20.03.2009

N° 215125