

Basket Strainer

Pressure Rating: PN 25
Material of Construction: Ductile Cast Iron GGG 40/50



DN 50 – DN 1000

Catalogue No: 14-2000025

Range of application: Potable water				
Size DN	Pressure rating PN	Hydrotest pressure in bar		Admissible working pressure in bar up to 70°C 1)
		Body	Seat	
50 - 1000	25	37.5	-	37.5

In case of order please specify the working conditions

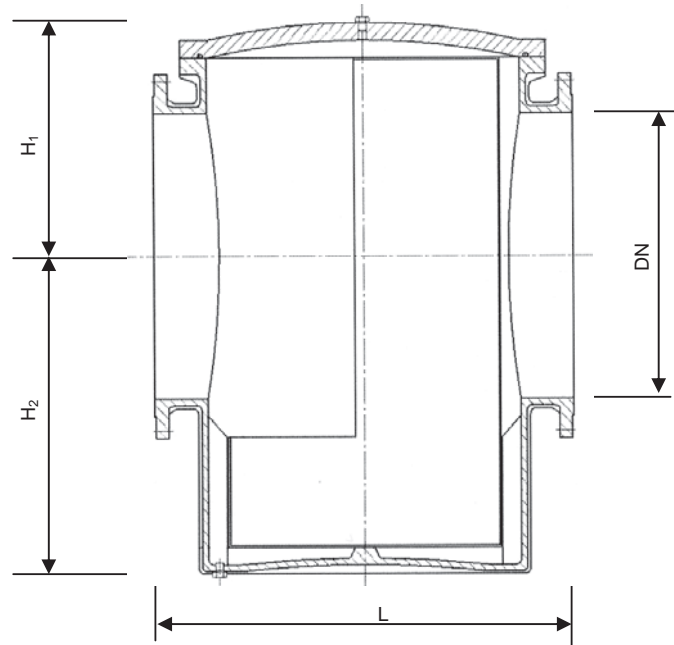
Other working temperatures possible on request



Materials / Equipment	
Catalogue No.	14-2000025
Body	GGG 40/50
Sieve	Stainless steel 1.4301
Cover	GGG 40/50
Bolts and nuts	Stainless steel A2
Corrosion protection	Epoxy coated RAL 5015

Size DN mm	Dimensions			Strainer	
	L mm	H ₁ mm	H ₂ mm	Kv (m ³ /h)	Ø (-)
50	250	96	78	152	4.10
65	270	106	98	196	4.24
80	280	119	120	240	4.18
100	330	132	148	295	4.20
125	400	149	183	362	4.00
150	480	165	218	492	3.92
200	600	204	287	870	3.98
250	730	245	355	1,362	4.12
300	780	283	423	1,895	4.20
350	840	324	492	1,962	4.09
400	840	361	559	3,015	4.19
450	890	402	628	3,240	4.12
500	900	441	696	4,835	4.19
600	1000	523	834	6,942	4.19
700	1130	680	971	9,620	4.12
750	1200	700	760	11,120	4.13
800	1250	684	1108	12,525	4.18
900	1380	759	1243	13,777	4.12
1000	1500	837	1379	15,224	4.12

We reserve the right to make technical modifications



SAUDI VALVES MANUFACTURING

Tel.: +966 3 341 8514 - Fax: +966 3 341 8515
P. O. Box 10137 Jubail Industrial City, 31961 The Kingdom of Saudi Arabia
E-mail: info@saudivalves.com - Internet: www.saudivalves.com

