

Y-Strainer

Face to Face: DIN EN 558-1 Series 1
 Pressure Rating: PN 16
 Material of Construction: Ductile Cast Iron GGG 40/50



DN 15 - DN 500

Catalogue No: 14-2000116

Range of application: Potable water				
Size DN	Pressure rating PN	Hydrotest pressure in bar		Admissible working pressure in bar up to 70°C
		Body	Seat	
15 - 500	16	24	-	16

In case of order please specify the working conditions

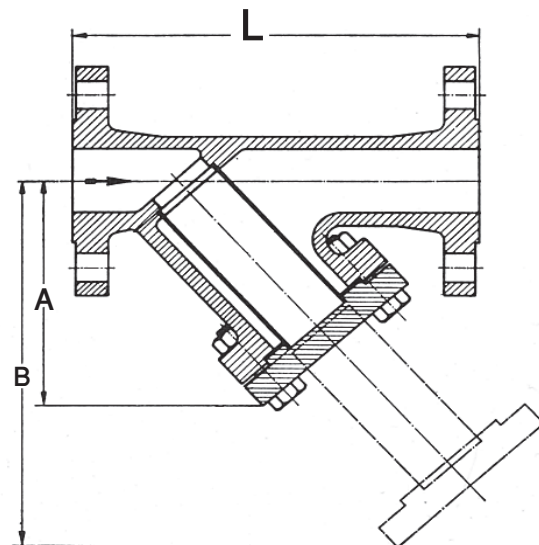
Other working temperatures possible on request



Materials / Equipment	
Catalogue No.	14-2000116
Body	GGG 40/50
Sieve	Stainless steel 1.4301
Cover	GGG 40/50
Bolts and nuts	Stainless steel A2
Corrosion protection	epoxy coated RAL 5015

Size DN mm	Face to face length acc. to BS EN 558-1 Reihe / Series 1 L mm	Dimensions			Sieb Sieve φ (-)	Weight kg
		A mm	B mm			
15	130	75	115	2.58	2.20	
20	150	75	115	2.24	3.20	
25	160	90	135	2.02	3.80	
32	180	90	135	1.97	5.00	
40	200	110	170	1.93	6.50	
50	230	120	190	1.95	8.50	
65	290	140	220	2.00	12.00	
80	310	165	265	2.18	16.60	
100	350	220	340	3.38	25.00	
125	400	260	410	2.94	39.00	
150	480	300	475	2.81	61.00	
200	600	360	580	3.81	109.00	
250	730	470	680	4.86	162.00	
300	850	560	820	5.34	280.00	
350	980	590	1060	7.48	360.00	
400	1100	670	1195	7.46	420.00	
450	1200	740	1320	7.47	485.00	
500	1250	800	1425	7.45	560.00	

We reserve the right to make technical modifications



SAUDI VALVES MANUFACTURING

Tel.: +966 3 341 8514 - Fax: +966 3 341 8515
 P. O. Box 10137 Jubail Industrial City, 31961 The Kingdom of Saudi Arabia
 E-mail: info@saudivalves.com - Internet: www.saudivalves.com



N° 215125

20.03.2009