

# Y-Strainer



Face to Face: DIN EN 558-1 Series 1  
 Pressure Rating: PN 20  
 Material of Construction: Ductile Cast Iron GGG 40/50

DN 65 - DN 300

Catalogue No: 14-2000120

Range of application: Potable water				
Size	Pressure rating	Hydrost. test pressure in bar		Admissible working pressure in bar
DN	PN	Body	Seat	up to 70°C
65 - 300	20	30	-	20

*In case of order please specify the working conditions*

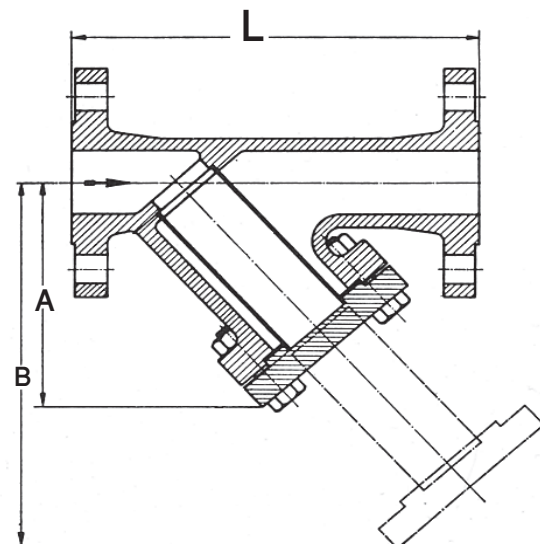
*Other working temperatures possible on request*



Materials / Equipment	
Catalogue No.	14-2000120
Body	GGG 40/50
Sieve	Stainless steel 1.4301
Cover	GGG 40/50
Bolts and nuts	Stainless steel A2
Corrosion protection	Epoxy powder coated RAL 5015

Size	Face to face length acc. to BS EN 558-1 Series 1	Dimensions			Weight
		A	B	Sieb Sieve	
DN mm	L mm	A mm	B mm	Ø (-)	kg
65	290	140	220	2.00	12.00
80	310	165	265	2.18	16.60
100	350	220	340	3.38	25.00
125	400	260	410	2.94	39.00
150	480	300	475	2.81	61.00
200	600	360	580	3.81	109.00
250	730	470	680	4.86	162.00
300	850	560	820	5.34	280.00

*We reserve the right to make technical modifications*



## SAUDI VALVES MANUFACTURING

Tel.: +966 3 341 8514 - Fax: +966 3 341 8515  
 P. O. Box 10137 Jubail Industrial City, 31961 The Kingdom of Saudi Arabia  
 E-mail: [info@saudivalves.com](mailto:info@saudivalves.com) - Internet: [www.saudivalves.com](http://www.saudivalves.com)



20.03.2009