

Y-Strainer

Face to Face: DIN EN 558-1 Series 1
 Pressure Rating: PN 16
 Material of Construction: Carbon Steel Welded



DN 250 - DN 700

Catalogue No: 14-2000125

Range of application: Potable water				
Size	Pressure rating	Hydrost. test pressure in bar		Admissible working pressure in bar
DN	PN	Body	Seat	up to 70°C
250 - 700	16	24	10	10

In case of order please specify the working conditions

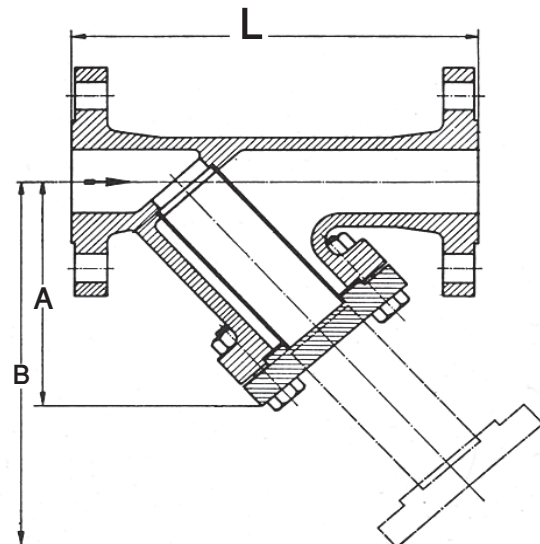
Other working temperatures possible on request



Materials / Equipment	
Catalogue No.	14-2000125
Body	Carbon steel welded
Sieve	Stainless steel 1.4301
Cover	Steel
Bolts and nuts	Stainless steel A2
Corrosion protection	Epoxy powder coated RAL 5015

Size	Face to face length acc. to BS EN 558-1 Series 1	Dimensions			Weight
		A	B	ε (-)	
DN mm	L mm	mm	mm		kg
250	730	445	785	6.56	142
300	850	545	945	6.53	242
350	980	590	1060	7.48	310
400	1100	670	1195	7.46	515
450	1200	740	1320	7.44	630
500	1250	800	1425	7.47	770
600	1450	935	1665	7.52	1,050
700	1650	1080	1920	7.38	1,430

We reserve the right to make technical modifications



SAUDI VALVES MANUFACTURING

Tel.: +966 3 341 8514 - Fax: +966 3 341 8515
 P. O. Box 10137 Jubail Industrial City, 31961 The Kingdom of Saudi Arabia
 E-mail: info@saudivalves.com - Internet: www.saudivalves.com

ISO 9001

BUREAU VERITAS
 Certification



N° 215125

20.03.2009