

Basket Strainer

Pressure Rating: PN 16
Material of Construction: Cast Steel GSC 25



DN 50 – DN 1000

Catalogue No: 14-4000016

Range of application: Potable water				
Size	Pressure rating	Hydrotest pressure in bar		Admissible working pressure in bar
DN	PN	Body	Seat	up to 70°C
50 - 1000	16	24	-	16

In case of order please specify the working conditions

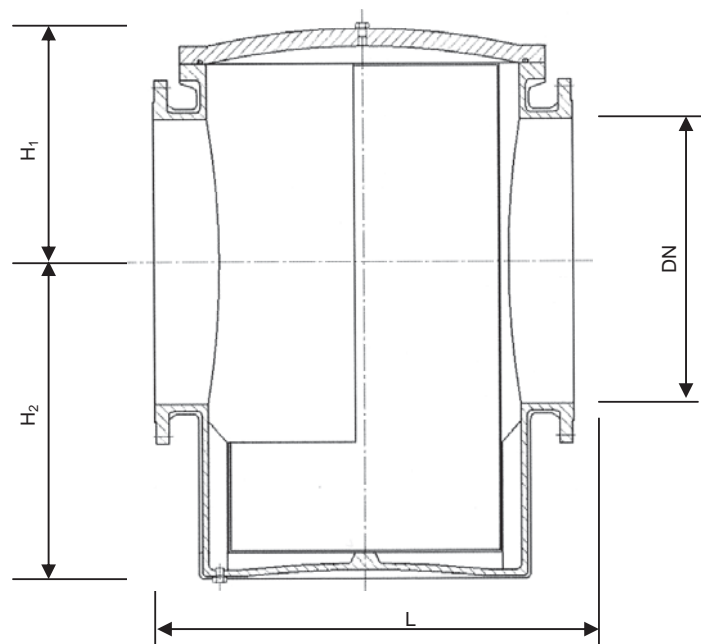
Other working temperatures possible on request

Materials / Equipment	
Catalogue No.	14-4000016
Body	Carbon steel welded
Sieve	Stainless steel 1.4301
Cover	Steel
Bolts and nuts	Stainless steel A2
Corrosion protection	Epoxy powder coated RAL 5015



Size	Dimensions			Strainer	
	L mm	H ₁ mm	H ₂ mm	Kv (m ³ /h)	ξ (-)
50	250	96	78	152	4.10
65	270	106	98	196	4.24
80	280	119	120	240	4.18
100	350	132	148	295	4.20
125	400	149	183	362	4.00
150	480	165	218	492	3.92
200	600	204	287	870	3.98
250	730	245	355	1,362	4.12
300	780	283	423	1,895	4.20
350	840	324	492	1,962	4.09
400	840	361	559	3,015	4.19
450	890	402	628	3,240	4.12
500	900	441	696	4,835	4.19
600	1000	523	834	6,942	4.19
700	1200	603	971	9,620	4.12
800	1400	684	1108	12,525	4.18
900	1600	759	1243	13,777	4.12
1000	1800	837	1379	15,224	4.12

We reserve the right to make technical modifications



SAUDI VALVES MANUFACTURING

Tel.: +966 3 341 8514 - Fax: +966 3 341 8515
P. O. Box 10137 Jubail Industrial City, 31961 The Kingdom of Saudi Arabia
E-mail: info@saudivalves.com - Internet: www.saudivalves.com



N° 215125

20.03.2009