

Gate Valve acc. to DIN EN 1171

Metal Seated
 Face to Face: DIN EN 558-1 Series 3
 Pressure Rating: PN 16
 Material of Construction: Ductile Cast Iron GGG 40/50



DN 40 - DN 1600

Catalogue No: 01-2010316

Range of application: Potable water and waste water				
Size DN	Pressure rating PN	Hydrotest pressure in bar		Admissible working pressure in bar up to 70°C
		Body	Seat	
40 - 1600	16	24	17.6	16

In case of order please specify the working conditions

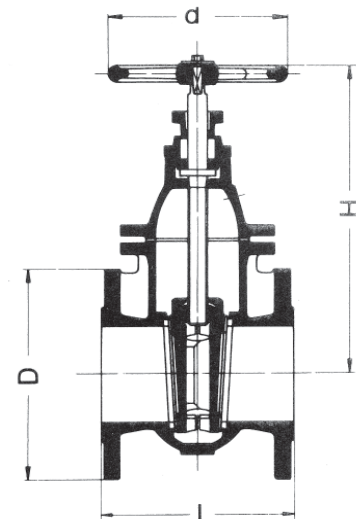
Other working temperatures possible on request

Materials / Equipment	
Catalogue No.	02-2010316
Body	GGG 40/50
Bonnet	GGG 40/50
Wedge	GGG 40/50
Seatings in the body	Gunmetal
Seatings on the wedge	Gunmetal
Stem	Stainless steel 1.4021
Stem nut	Gunmetal
Stem guide bush	Gunmetal
O-rings	EPDM or NBR
Bolts and nuts	Stainless steel A2
Corrosion protection	Epoxy powder coated RAL 5015
Handwheel	Steel, black coated



Size DN mm	Face to face length acc. to DIN EN 558-1 Series 3 L mm	Flange ∅ D mm	Dimensions		Weight kg	Volume m³
			H mm	d mm		
40	165	150	240	140	8	0.01
50	178	165	255	140	10	0.01
65	190	185	295	160	14	0.02
80	203	200	315	160	18	0.02
100	229	220	345	180	22	0.03
125	254	250	400	200	29	0.04
150	267	285	430	200	35	0.06
200	292	340	525	225	62	0.06
250	330	400	625	280	90	0.10
300	356	455	720	320	200	0.18
350	381	520	820	360	240	0.30
400	406	580	900	360	340	0.40
450	432	640	970	400	420	0.48
500	457	715	1055	500	530	0.72
600	508	840	1240	500	880	1.16
700	610	910	1420	360	1,290	1.52
800	660	1025	1640	400	1,800	2.25
900	711	1125	1770	500	2,340	3.07
1000	811	1255	1890	500	3,040	4.00
1200	1120	1485	2230	400	3,950	6.60
1400	1120	1685	2950	500	5,040	10.80
1600	1200	1930	3290	500	9,750	16.00

We reserve the right to make technical modifications



SAUDI VALVES MANUFACTURING

Tel.: +966 3 341 8514 - Fax: +966 3 341 8515
 P. O. Box 10137 Jubail Industrial City, 31961 The Kingdom of Saudi Arabia
 E-mail: info@saudivalves.com - Internet: www.saudivalves.com



20.03.2009