

Gate Valve acc. to DIN EN 1171

Metal Seated
 Face to Face: DIN EN 558-1 Series 14
 Pressure Rating: PN 16
 Material of Construction: Ductile Cast Iron GGG 40/50



DN 40 - DN 300

Catalogue No: 01-2011416

Range of application: Potable water and waste water				
Size DN	Pressure rating PN	Hydrotest pressure in bar		Admissible working pressure in bar up to 70°C
		Body	Seat	
40 - 300	16	24	16	16

In case of order please specify the working conditions

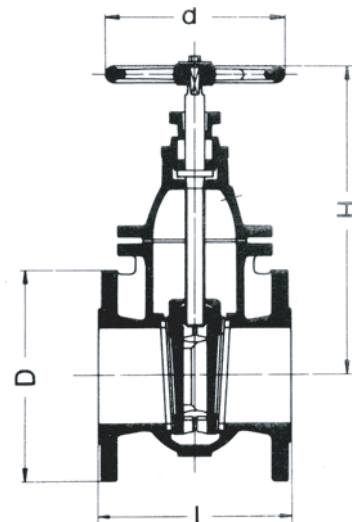
Other working temperatures possible on request

Materials / Equipment	
Catalogue No.	02-2011416
Body	GGG 40/50
Bonnet	GGG 40/50
Wedge	GGG 40/50
Seatrings in the body	Gunmetal
Seatrings on the wedge	Gunmetal
Stem	Stainless steel 1.4021
Stem nut	Gunmetal
Stem guide bush	Gunmetal
O-rings	EPDM or NBR
Bolts and nuts	Stainless steel A2
Corrosion protection	Epoxy powder coated RAL 5015
Handwheel	Steel, black coated



Size	Face to face length acc. to DIN EN 558-1 Series 14	Flange ∅	Dimensions		Weight kg	Volume m³
			H mm	d mm		
DN mm	L mm	D mm	H mm	d mm	kg	m³
40	140	150	240	160	8	0.01
50	150	165	255	160	10	0.01
65	170	185	295	160	14	0.02
80	180	200	315	200	18	0.02
100	190	220	345	200	22	0.03
125	200	250	400	250	29	0.04
150	210	285	430	250	35	0.06
200	230	340	525	315	62	0.06
250	250	405	625	315	90	0.08
300	270	460	725	315	117	0.12

We reserve the right to make technical modifications



SAUDI VALVES MANUFACTURING

Tel.: +966 3 341 8514 - Fax: +966 3 341 8515

P. O. Box 10137 Jubail Industrial City, 31961 The Kingdom of Saudi Arabia

E-mail: info@saudivalves.com - Internet: www.saudivalves.com

ISO 9001

BUREAU VERITAS
 Certification



20.03.2009

N° 215125