

Gate Valve acc. to DIN EN 1171

Metal Seated
 Face to Face: DIN EN 558-1 Series 15
 Pressure Rating: PN 10
 Material of Construction: Ductile Cast Iron GGG 40/50



DN 40 - DN 1200

Catalogue No: 02-2011510-558

Range of application: Potable water and waste water				
Size DN	Pressure rating PN	Hydrotest pressure in bar		Admissible working pressure in bar up to 70°C
		Body	Seat	
40 - 1200	10	15	10	10

In case of order please specify the working conditions

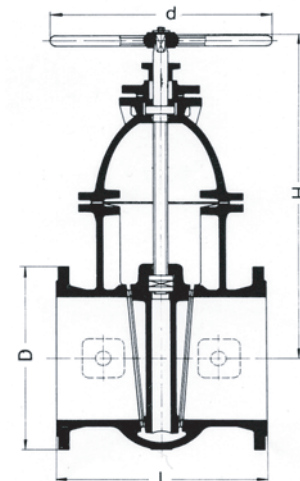
Other working temperatures possible on request

Materials / Equipment	
Catalogue No.	02-2011510-558
Body	GGG 40/50
Bonnet	GGG 40/50
Wedge	GGG 40/50
Seatrings in the body	Gunmetal
Seatrings on the wedge	Gunmetal
Stem	Stainless steel 1.4021
Stem nut	Gunmetal
Stem guide bush	Gunmetal
O-rings	EPDM or NBR
Bolts and nuts	Stainless steel A2
Corrosion protection	Epoxy powder coated RAL 5015
Handwheel	Steel, black coated



Size	Face to face length acc. to DIN EN 558-1 Series 15	Flange Ø	Dimensions		Weight kg	Volume m³
			L mm	D mm		
40	240	150	250	180	16	0.01
50	250	165	265	180	18	0.02
65	270	185	320	225	25	0.03
80	280	200	335	225	33	0.03
100	300	220	380	280	42	0.04
125	325	250	448	320	61	0.05
150	350	285	480	320	81	0.07
200	400	340	600	360	124	0.12
250	450	395	710	400	182	0.19
300	500	445	800	500	240	0.26
350	550	505	890	500	332	0.42
400	600	565	1000	640	465	0.56
450	650	615	1100	640	615	0.70
500	700	670	1200	720	725	0.80
600	800	780	1360	720	1,010	1.19
700	900	895	1550	800	1,346	1.60
800	1000	1015	1780	800	1,836	2.10
900	1100	1115	1960	800	2,436	3.00
1000	1200	1230	2150	900	3,590	3.80
1200	1400	1455	2520	1000	5,260	4.60

We reserve the right to make technical modifications



SAUDI VALVES MANUFACTURING

Tel.: +966 3 341 8514 - Fax: +966 3 341 8515
 P. O. Box 10137 Jubail Industrial City, 31961 The Kingdom of Saudi Arabia
 E-mail: info@saudivalves.com - Internet: www.saudivalves.com



20.03.2009