

# Gate Valve acc. to DIN EN 1171

Metal Seated

Face to Face: DIN 3202-1 Series 15

Pressure Rating: PN 16

Material of Construction: Ductile Cast Iron GGG 40/50



DN 40 - DN 1000

Catalogue No: 02-2011516

| Range of application: Potable water and waste water |                       |                           |      |  |
|---|-----------------------|---------------------------|------|--|
| Size<br>DN  | Pressure rating<br>PN | Hydrotest pressure in bar |      | Admissible working pressure in bar<br>up to 70°C |
|   |                       | Body                      | Seat |  |
| 40 - 1000   | 16                    | 24                        | 16   | 16   |

In case of order please specify the working conditions

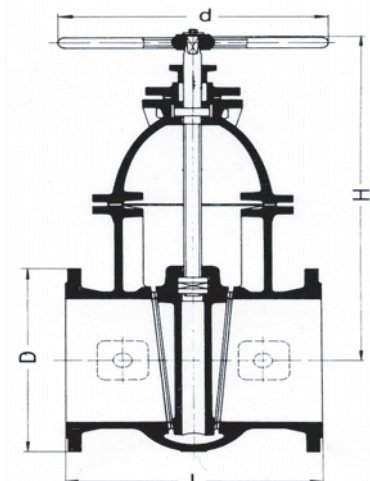
Other working temperatures possible on request

| Materials / Equipment |                              |
|-----------------------|------------------------------|
| Catalogue No.         | 02-2011516                   |
| Body                  | GGG 40/50                    |
| Bonnet                | GGG 40/50                    |
| Wedge                 | GGG 40/50                    |
| Seatings in the body  | Gunmetal                     |
| Seatings on the wedge | Gunmetal                     |
| Stem                  | Stainless steel 1.4021       |
| Stem nut              | Gunmetal                     |
| Stem guide bush       | Gunmetal                     |
| O-rings               | EPDM or NBR                  |
| Bolts and nuts        | Stainless steel A2           |
| Corrosion protection  | Epoxy powder coated RAL 5015 |
| Handwheel             | Steel, black coated          |



| Size     | Face to face<br>length acc. to<br>DIN 3202-1<br>F15 | Flange<br>Ø | Dimensions |         | Weight<br>kg | Volume<br>m³ |
|----------|---|-------------|------------|---------|--------------|--------------|
|          |   |             | H<br>mm    | d<br>mm |              |              |
| DN<br>mm | L<br>mm   | D<br>mm     | H<br>mm    | d<br>mm | kg           | m³           |
| 40       | 240   | 150         | 280        | 200     | 21           | 0.01         |
| 50       | 250   | 165         | 290        | 225     | 27           | 0.02         |
| 65       | 270   | 185         | 330        | 280     | 40           | 0.03         |
| 80       | 280   | 200         | 350        | 280     | 45           | 0.04         |
| 100      | 330   | 220         | 400        | 320     | 68           | 0.50         |
| 125      | 360   | 250         | 460        | 360     | 90           | 0.60         |
| 150      | 390   | 285         | 520        | 360     | 120          | 0.90         |
| 200      | 460   | 340         | 630        | 400     | 190          | 0.16         |
| 250      | 530   | 405         | 730        | 500     | 222          | 0.22         |
| 300      | 630   | 460         | 840        | 640     | 370          | 0.30         |
| 350      | 690   | 520         | 940        | 640     | 467          | 0.33         |
| 400      | 750   | 580         | 1070       | 720     | 650          | 0.55         |
| 500      | 880   | 715         | 1260       | 800     | 1,123        | 0.80         |
| 600      | 1000  | 840         | 1480       | 800     | 1,685        | 1.20         |
| 700      | 1130  | 910         | 1620       | 800     | 2,250        | 1.70         |
| 800      | 1250  | 1025        | 1820       | 900     | 3,195        | 2.40         |
| 900      | 1380  | 1125        | 2040       | 900     | 4,200        | 3.20         |
| 1000     | 1500  | 1255        | 2200       | 900     | 5,000        | 4.20         |

We reserve the right to make technical modifications



## SAUDI VALVES MANUFACTURING

Tel.: +966 3 341 8514 - Fax: +966 3 341 8515

P. O. Box 10137 Jubail Industrial City, 31961 The Kingdom of Saudi Arabia

E-mail: [info@saudivalves.com](mailto:info@saudivalves.com) - Internet: [www.saudivalves.com](http://www.saudivalves.com)

ISO 9001

BUREAU VERITAS  
Certification



N° 215125

20.03.2009