

# Gate Valve acc. to DIN EN 1171

Metal Seated  
 Face to Face: DIN EN 558-1 Series 15  
 Pressure Rating: PN 25  
 Material of Construction: Ductile Cast Iron GGG 40/50



**DN 40 - DN 500**

**Catalogue No: 02-2011525-558**

Range of application: Potable water and waste water				
Size DN	Pressure rating PN	Hydrotest pressure in bar		Admissible working pressure in bar up to 70°C
		Body	Seat	
40 - 500	25	37.5	25	25

*In case of order please specify the working conditions*

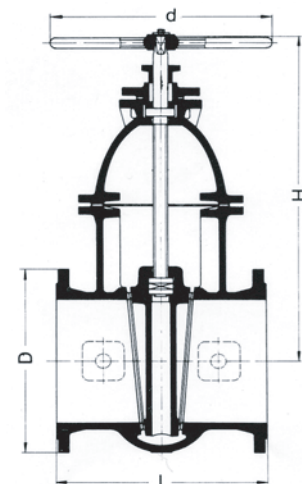
*Other working temperatures possible on request*

Materials / Equipment	
<b>Catalogue No.</b>	<b>02-2011525-558</b>
Body	GGG 40/50
Bonnet	GGG 40/50
Wedge	GGG 40/50
Seatings in the body	Gunmetal
Seatings on the wedge	Gunmetal
Stem	Stainless steel 1.4021
Stem nut	Gunmetal
Stem guide bush	Gunmetal
O-rings	EPDM or NBR
Bolts and nuts	Stainless steel A2
Corrosion protection	Epoxy powder coated RAL 5015
Handwheel	Steel, black coated



Size	Face to face length acc. to DIN EN 558-1 Series 15	Flange $\varnothing$	Dimensions		Weight kg	Volume m <sup>3</sup>
			H mm	d mm		
40	240	150	250	180	16	0.01
50	250	165	265	180	18	0.02
65	270	185	320	225	25	0.03
80	280	200	335	225	33	0.03
100	300	235	380	280	42	0.04
125	325	270	448	320	61	0.05
150	350	300	480	320	81	0.07
200	400	360	600	360	124	0.12
250	450	425	710	400	182	0.19
300	500	485	800	500	240	0.26
350	550	555	890	500	332	0.42
400	600	620	1000	640	465	0.56
450	650	670	1100	640	615	0.70
500	700	730	1200	720	725	0.80

*We reserve the right to make technical modifications*



## SAUDI VALVES MANUFACTURING

Tel.: +966 3 341 8514 - Fax: +966 3 341 8515  
 P. O. Box 10137 Jubail Industrial City, 31961 The Kingdom of Saudi Arabia  
 E-mail: [info@saudivalves.com](mailto:info@saudivalves.com) - Internet: [www.saudivalves.com](http://www.saudivalves.com)



20.03.2009

N° 215125