

# Gate Valve acc. to DIN EN 1171

**Metal Seated**

**Face to Face: DIN EN 558-1 Series 3**

**Pressure Rating: PN 10**

**Material of Construction: Ductile Cast Iron GGG 40/50**



**DN 40 - DN 1600**

**Catalogue No: 01-2010310**

<b>Range of application: Potable water and waste water</b>				
Size DN	Pressure rating PN	Hydrotest pressure in bar		Admissible working pressure in bar up to 70°C
		Body	Seat	
40 - 1000	25	37.5	25	25

*In case of order please specify the working conditions*

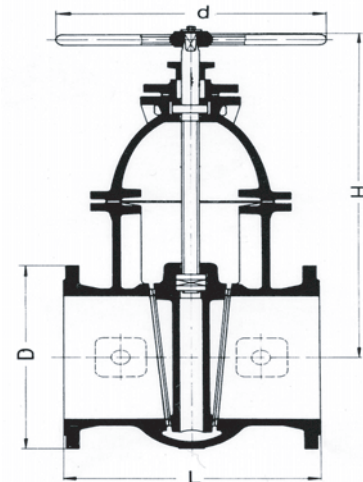
*Other working temperatures possible on request*

<b>Materials / Equipment</b>	
<b>Catalogue No.</b>	<b>02-2011525</b>
Body	GGG 40/50
Bonnet	GGG 40/50
Wedge	GGG 40/50
Seatings in the body	Gunmetal
Seatings on the wedge	Gunmetal
Stem	Stainless steel 1.4021
Stem nut	Gunmetal
Stem guide bush	Gunmetal
O-rings	EPDM or NBR
Bolts and nuts	Stainless steel A2
Corrosion protection	Epoxy powder coated RAL 5015
Handwheel	Steel, black coated



Size DN mm	Face to face length acc. to DIN 3202-1 F15 L mm	Flange Ø D mm	Dimensions		Weight kg	Volume m³
			H mm	d mm		
40	240	150	280	200	21	0.01
50	250	165	290	225	27	0.02
65	270	185	330	280	40	0.03
80	280	200	350	280	45	0.40
100	330	235	400	320	68	0.50
125	360	270	460	360	90	0.60
150	390	300	520	360	120	0.90
200	460	360	630	400	190	0.16
250	530	425	730	500	222	0.22
300	630	485	840	640	370	0.30
350	690	555	940	640	467	0.33
400	750	620	1070	720	650	0.55
500	880	730	1260	800	1,123	0.80
600	1000	845	1480	800	1,685	1.20
700	1130	960	1620	800	2,250	1.70
800	1250	1085	1820	900	3,195	2.40
900	1380	1185	2040	900	4,200	3.20
1000	1500	1320	2200	900	5,000	4.20

*We reserve the right to make technical modifications*



## SAUDI VALVES MANUFACTURING

Tel.: +966 3 341 8514 - Fax: +966 3 341 8515

P. O. Box 10137 Jubail Industrial City, 31961 The Kingdom of Saudi Arabia

E-mail: [info@saudivalves.com](mailto:info@saudivalves.com) - Internet: [www.saudivalves.com](http://www.saudivalves.com)

ISO 9001

BUREAU VERITAS  
Certification



N° 215125

20.03.2009