

Gate Valve

Gate Valve
 Metal Seated
 Face to Face: DIN 3202-1 Series F15
 Pressure Rating: PN 40
 Material of Construction: Ductile Cast Iron GGG 40/50



DN 40 - DN 400

Catalogue No: 02-2011540

Range of application: Potable water and waste water				
Size DN	Pressure rating PN	Hydrotest pressure in bar		Admissible working pressure in bar up to 70°C
		Body	Seat	
40 - 400	40	60	40	40

In case of order please specify the working conditions

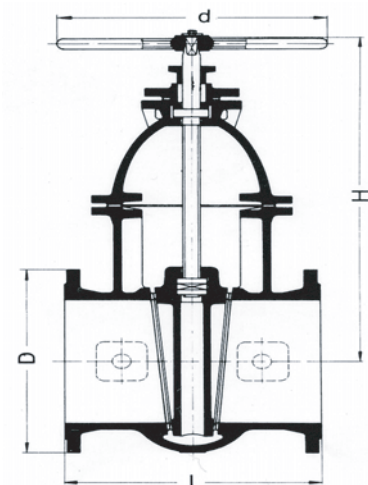
Other working temperatures possible on request

Materials / Equipment	
Catalogue No.	02-2011540
Body	GGG 40/50
Bonnet	GGG 40/50
Wedge	GGG 40/50
Seatrings in the body	Gunmetal
Seatrings on the wedge	Gunmetal
Stem	Stainless steel 1.4021
Stem nut	Gunmetal
Stem guide bush	Gunmetal
O-rings	EPDM or NBR
Bolts and nuts	Stainless steel A2
Corrosion protection	Epoxy powder coated RAL 5015
Handwheel	Steel, black coated



Size	Face to face length acc. to DIN 3202-1 F15	Flange Ø	Dimensions		Weight	Volume
			L	d		
DN mm	L mm	D mm	H mm	d mm	kg	m³
40	240	150	280	200	21	0.01
50	250	165	290	225	27	0.02
65	270	185	330	280	40	0.03
80	280	200	350	280	45	0.40
100	330	235	400	320	68	0.50
125	360	270	460	360	90	0.60
150	390	300	520	360	120	0.90
200	460	375	630	400	190	0.16
250	530	450	730	500	222	0.22
300	630	515	840	640	370	0.30
350	690	580	940	640	467	0.33
400	750	660	1070	720	650	0.55

We reserve the right to make technical modifications



SAUDI VALVES MANUFACTURING

Tel.: +966 3 341 8514 - Fax: +966 3 341 8515
 P. O. Box 10137 Jubail Industrial City, 31961 The Kingdom of Saudi Arabia
 E-mail: info@saudivalves.com - Internet: www.saudivalves.com



N° 215125

20.03.2009