

Plug-Valve

Resilient Seated

Pressure Rating: PN 10

Material of Construction: Ductile Cast Iron GGG 40/50



DN 50 - DN 800

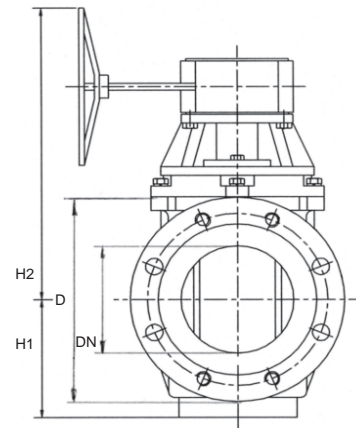
Catalogue No: 03-2020010

Range of application: Potable water				
Size DN	Pressure rating PN	Hydrotest pressure in bar		Admissible working pressure in bar up to 70°C
		Body	Seat	
50 - 800	10	15	10	10

In case of order please specify the working conditions

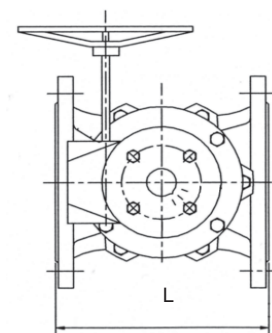


Materials / Equipment	
Catalogue No.	03-2020010
Body	GGG 40/50
Plug rubber lined	EPDM or NBR
Cover	GGG 40/50
Gland	GGG 40/50
Support	GGG 40/50
Shaft sealing	EPDM or NBR
Bearings	Bronze
O-rings	EPDM or NBR
Bolts and nuts	stainless steel A2
Corrosion protection	Epoxy powder coated blue
Gearbox	or equivalent
Handwheel	Steel, black coated



DN	L	H ₁	H ₂	PN 10		
				D	Nos. of holes	Nos. of threaded holes
50	178	84	265	165	4 x Ø 19	--
65	190	93	265	185	4 x Ø 19	--
80	203	109	312	200	4 x Ø 19	4 x M 16
100	229	128	312	220	8 x Ø 19	--
125	254	128	312	250	8 x Ø 19	--
150	267	165	444	285	4 x Ø 23	4 x M 20
200	292	198	464	340	4 x Ø 23	4 x M 20
250	330	249	527	395	8 x Ø 23	4 x M 20, 30 mm tief, deep 30 mm
300	356	290	710	445	8 x Ø 23	4 x M 20, 30 mm tief, deep 30 mm
350	432	330	723	505	8 x Ø 23	8 x M 20, 30 mm tief, deep 30 mm
400	450	355	749	565	8 x Ø 28	8 x M 24, 36 mm tief, deep 36 mm
450	450	355	749	615	12 x Ø 28	8 x M 24, 36 mm tief, deep 36 mm
500	660	427	903	670	12 x Ø 28	8 x M 24, 36 mm tief, deep 36 mm
600	768	567	1015	780	12 x Ø 31	8 x M 27, 40 mm tief, deep 40 mm
700	865	633	1393	895	16 x Ø 31	8 x M 27, 40 mm tief, deep 40 mm
800	965	633	1393	1015	16 x Ø 34	8 x M 30, 45 mm tief, deep 45 mm

We have to check with Source.



SAUDI VALVES MANUFACTURING

Tel.: +966 3 341 8514 - Fax: +966 3 341 8515

P. O. Box 10137 Jubail Industrial City, 31961 The Kingdom of Saudi Arabia

E-mail: info@saudivalves.com - Internet: www.saudivalves.com



20.03.2009