

Plug-Valve

Resilient Seated
 Pressure Rating: PN 16
 Material of Construction: Ductile Cast Iron GGG 40/50
 DN 50 - DN 800



DN 50 - DN 800

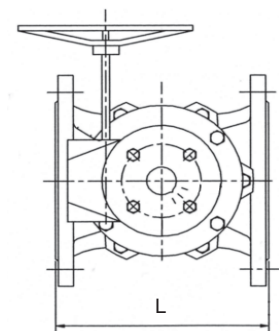
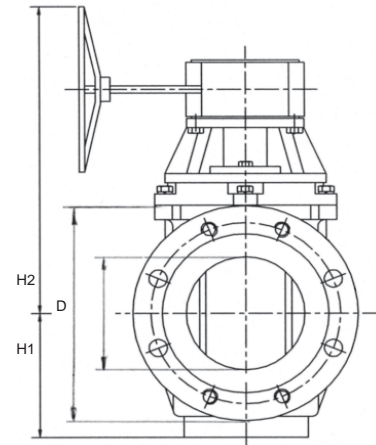
Catalogue No: 03-2020016

Range of application: Potable water				
Size DN	Pressure rating PN	Hydrost. test pressure in bar		Admissible working pressure in bar up to 70°C
		Body	Seat	
50 - 800	16	24	16	16

In case of order please specify the working conditions



Materials / Equipment	
Catalogue No.	03-2020016
Body	GGG 40/50
Plug rubber lined	EPDM or NBR
Cover	GGG 40/50
Gland	GGG 40/50
Support	GGG 40/50
Shaft sealing	EPDM or NBR
Bearings	Bronze
O-rings	EPDM or NBR
Bolts and nuts	stainless steel A2
Corrosion protection	Epoxy powder coated blue
Gearbox	or equivalent
Handwheel	Steel, black coated



DN	L	H ₁	H ₂	PN 16		
				D	Anzahl der Durchgangslöcher Nos. of holes	Anzahl des Gewindelöcher Nos. of threaded holes
50	178	84	265	165	4 x Ø 19	--
65	190	93	265	185	4 x Ø 19	--
80	203	109	312	200	4 x Ø 19	4 x M 16
100	229	128	312	220	8 x Ø 19	--
125	254	128	312	250	8 x Ø 19	--
150	267	165	444	285	4 x Ø 23	4 x M 20
200	292	198	464	340	8 x Ø 23	4 x M 20
250	330	249	527	405	8 x Ø 28	4 x M 24, 30 mm tief, deep 30 mm
300	356	290	710	460	8 x Ø 28	4 x M 24, 30 mm tief, deep 30 mm
350	432	330	723	520	8 x Ø 28	8 x M 24, 30 mm tief, deep 30 mm
400	450	355	749	580	8 x Ø 31	8 x M 27, 36 mm tief, deep 36 mm
450	450	355	749	640	12 x Ø 31	8 x M 27, 36 mm tief, deep 36 mm
500	660	427	903	715	12 x Ø 34	8 x M 30, 36 mm tief, deep 36 mm
600	768	567	1015	840	12 x Ø 37	8 x M 33, 40 mm tief, deep 40 mm
700	865	633	1393	910	16 x Ø 37	8 x M 33, 40 mm tief, deep 40 mm
800	965	633	1393	1025	16 x Ø 40	8 x M 36, 45 mm tief, deep 45 mm

me have to check with source.

SAUDI VALVES MANUFACTURING

Tel.: +966 3 341 8514 - Fax: +966 3 341 8515
 P. O. Box 10137 Jubail Industrial City, 31961 The Kingdom of Saudi Arabia
 E-mail: info@saudivalves.com - Internet: www.saudivalves.com

