

Knife Gate Valve

Resilient Seated

Face to Face: DIN EN 558-1 Series 20

Pressure Rating: PN 1.6 – PN 10

Drilling: PN 6 / PN 10 / PN 16

Material of Construction: Ductile Cast Iron GG5 40/50



DN 50 - DN 1000

Catalogue No: 04-2012001

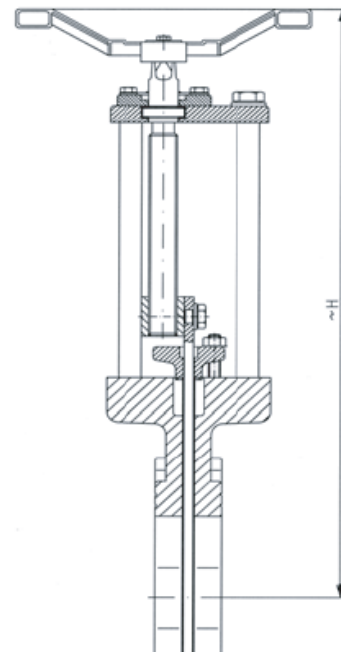
Range of application: water and waste water				
Size DN	Pressure rating PN	Hydrost. test pressure in bar		Admissible working pressure in bar up to 70°C
		Body	Seat	
50 - 200	10	15	10	10
250 - 350	6	9	6	6
400 - 700	2.5	3.75	2.5	2.5
800 - 1000	1.6	2.4	1.6	1.6

In case of order please specify the working conditions

Materials / Equipment	
Catalogue No.	04-2012001
Body	GGG 40/50
Gate	Stainless steel 1.4571
Resilient profile seal	Ramie packing
Sealing element in the body	NBR
Stem	Stainless steel 1.4021
Tie rods	Stainless steel 1.4021
Stem nut	Bronze
Bolts and nuts	Stainless steel A2
Corrosion protection	Epoxy powder coated RAL 5015
Handwheel	Steel, black coated

Size	Face to face length acc. to DIN EN 558-1 Series 20	Height	Weight	Volume
DN mm	L mm	H mm	kg	m ³
50	43	325	20	0.01
65	46	352	21	0.01
80	46	382	23	0.01
100	52	422	25	0.02
125	56	459	26	0.02
150	56	514	29	0.02
200	60	605	32	0.06
250	68	720	34	0.08
300	78	840	39	0.09
350	78	945	165	0.12
400	102	1025	220	0.20
450	114	1105	245	0.30
500	127	1280	290	0.35
600	154	1460	480	0.45
700	165	1660	620	0.60
800	190	1990	920	0.73
900	203	2150	1,150	0.86
1000	216	2320	1,350	1.15

We reserve the right to make technical modifications



SAUDI VALVES MANUFACTURING

Tel.: +966 3 341 8514 - Fax: +966 3 341 8515

P. O. Box 10137 Jubail Industrial City, 31961 The Kingdom of Saudi Arabia

E-mail: info@saudivalves.com - Internet: www.saudivalves.com

ISO 9001

BUREAU VERITAS
Certification



N° 215125

20.03.2009