

Non-Return Valve

Metal Seated and Resilient Seated
 Face to Face: DIN EN 558-1 Series 10
 Pressure Rating: PN 16
 Material of Construction: Ductile Cast Iron GGG 40/50



DN 50 - DN 1200

Catalogue No: 05-2081016

Range of application: Potable water				
Size	Pressure rating	Hydrost. test pressure in bar		Admissible working pressure in bar
DN	PN	Body	Seat	up to 70°C
50 - 1200	16	24	16	16

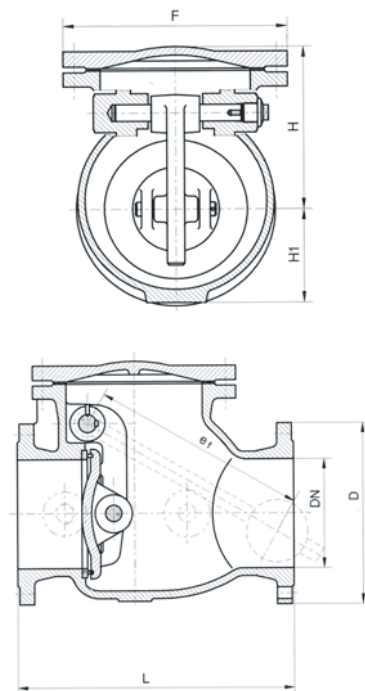
In case of order please specify the working conditions *Other working temperatures possible on request*

Materials / Equipment	
Catalogue No.	05-2081016
Body	GGG 40 - 50
Flap	GGG 40 - 50
Seating in the body	Gunmetal
Seating on the flap	Gunmetal
Shaft sealing	EPDM or NBR
Shaft	Stainless steel 1.4021
Lever	Mild steel
Weight	Cast iron
Bolts and nuts	Stainless steel A2
Corrosion protection	Epoxy powder coated RAL 5015



Size	Face to face length acc. to DIN EN 558-1 Series 10	Dimensions					Weight	Volume
		H	H ₁	F	e ₁	D		
DN mm	L mm	H mm	H ₁ mm	F mm	e ₁ mm	D mm	kg	m ³
50	203	130	60	125	155	165	19	0.02
65	216	155	65	190	175	185	32	0.02
80	241	170	75	210	175	200	34	0.03
100	292	200	95	230	195	220	42	0.30
125	330	225	110	270	225	250	58	0.04
150	356	240	120	310	240	285	77	0.06
200	495	280	155	370	290	340	132	0.11
250	622	330	180	425	300	405	172	0.23
300	690	360	200	490	325	460	225	0.33
350	787	410	260	550	498	520	369	0.45
400	914	450	290	620	567	580	492	0.65
450	978	450	290	620	567	625	535	0.83
500	1067	540	310	730	800	715	746	1.00
600	1219	630	390	860	900	840	1,375	1.52
700	1420	795	525	940	1100	910	1,735	2.10
800	1560	850	610	1060	1150	1125	2,215	3.34
900	1730	990	658	1180	1200	1200	2,840	4.90
1000	1900	1015	715	1320	1400	1400	4,050	6.20
1200	2184	1280	829	1640	1600	1600	5,150	9.38

We reserve the right to make technical modifications



SAUDI VALVES MANUFACTURING

Tel.: +966 3 341 8514 - Fax: +966 3 341 8515
 P. O. Box 10137 Jubail Industrial City, 31961 The Kingdom of Saudi Arabia
 E-mail: info@saudivalves.com - Internet: www.saudivalves.com

ISO 9001

BUREAU VERITAS
 Certification



20.03.2009

N° 215125