

Flap Valve

Material of Construction
Ductile Cast iron GGG 40/50



DN 50 - DN 1400

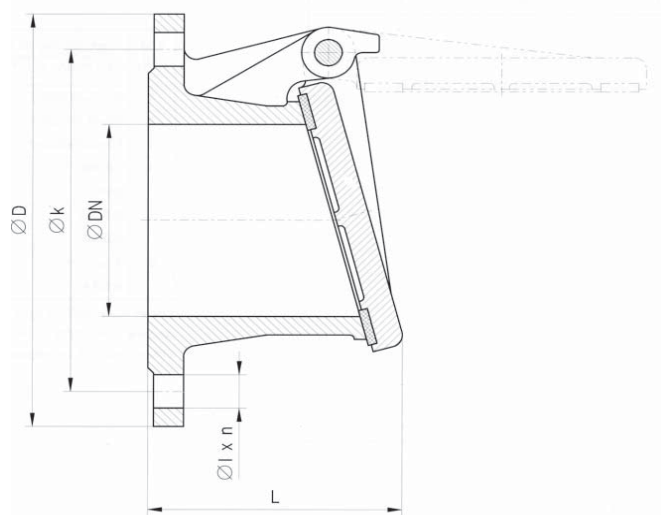
Catalogue No: 05-2000000

Materials / Equipments

Catalogue No.	05-2000000
Body	GGG 40-50
Flap	GGG 40-50
Gasket	EPDM or NBR rubber
Shaft	Stainless steel A2
Corrosion protection	Epoxy powder coated RAL 5015



Nennweite Size					
DN mm	L mm	D mm	k mm	n mm	l mm
50	183	165	125	4	19
65	190	185	145	4	19
80	200	200	160	8	19
100	214	220	180	8	19
125	240	250	210	8	19
150	257	285	240	8	23
200	290	340	295	8	23
250	320	395	350	12	23
300	340	445	400	12	23
350	380	505	460	16	23
400	380	565	515	16	28
500	380	670	620	20	28
600	430	780	725	20	31
700	470	860	810	24	28
800	590	975	920	24	31
900	550	1075	1020	24	31
1000	900	1175	1120	28	31
1200	750	1405	1340	32	34
1400	950	1630	1560	36	37



We reserve the right to make technical modifications

SAUDI VALVES MANUFACTURING

Tel.: +966 3 341 8514 - Fax: +966 3 341 8515

P. O. Box 10137 Jubail Industrial City, 31961 The Kingdom of Saudi Arabia

E-mail: info@saudivalves.com - Internet: www.saudivalves.com

ISO 9001

BUREAU VERITAS
Certification



20.03.2009

N° 215125