

# Non-Return Valve

Resilient Seated  
 Face to Face: DIN EN 558-1 Series 48  
 Pressure Rating: PN 10  
 Material of Construction: Ductile Cast Iron GGG 40/50



**DN 50 - DN 300**

**Catalogue No: 05-2004810**

Range of application: Potable water and waste water				
Size	Pressure rating	Hydrotest pressure in bar		Admissible working pressure in bar
DN	PN	Body	Seat	up to 70°C
50 - 300	10	15	10	10

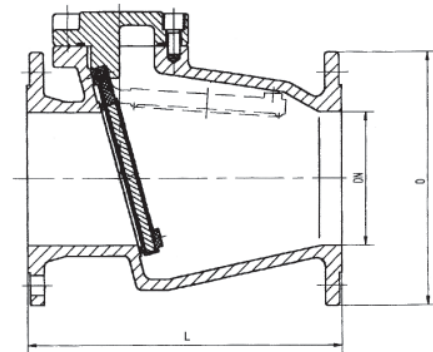
*In case of order please specify the working conditions*



Materials / Equipment	
<b>Catalogue No.</b>	<b>05-2004810</b>
Body	GGG 40/50
Cover	GGG 40/50
Flap	GGG 40/50
Flap coating	NBR
Cover gasket	NBR
Bolts and nuts	Stainless steel A2
Corrosion protection	Epoxy powder coated RAL 5015

Size	Face to face length acc. to DIN EN 558-1 Series 48	Flange Ø	Weight	Volume
DN mm	L mm	D mm	kg	m <sup>3</sup>
50	200	165	11.0	0.01
65	240	185	13.0	0.01
80	260	200	17.5	0.02
100	300	220	29.4	0.02
125	350	250	35.5	0.03
150	400	285	54.6	0.05
200	500	340	78.0	0.09
250	600	395	125.0	0.13
300	700	445	161.0	0.19

*We reserve the right to make technical modifications*



## SAUDI VALVES MANUFACTURING

Tel.: +966 3 341 8514 - Fax: +966 3 341 8515  
 P. O. Box 10137 Jubail Industrial City, 31961 The Kingdom of Saudi Arabia  
 E-mail: [info@saudivalves.com](mailto:info@saudivalves.com) - Internet: [www.saudivalves.com](http://www.saudivalves.com)



20.03.2009