

# Non-Return Valve, tilting type

Metal Seated  
 Face to Face: DIN EN 558-1 Series 14  
 Pressure Rating: PN 10  
 Material of Construction: Ductile Cast Iron GGG 40/50



**DN 200 - DN 1600**

**Catalogue No: 05-2081410**

Range of application: Potable water				
Size DN	Pressure rating PN	Hydrotest pressure in bar		Admissible working pressure in bar up to 70°C
		Body	Seat	
200 - 1600	10	15	10	10

*In case of order please specify the working conditions*

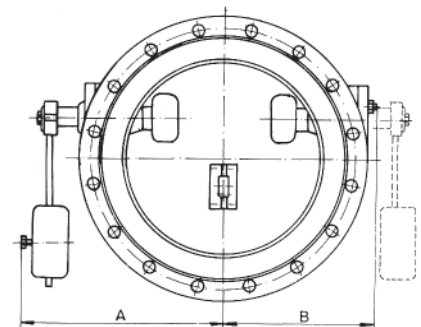
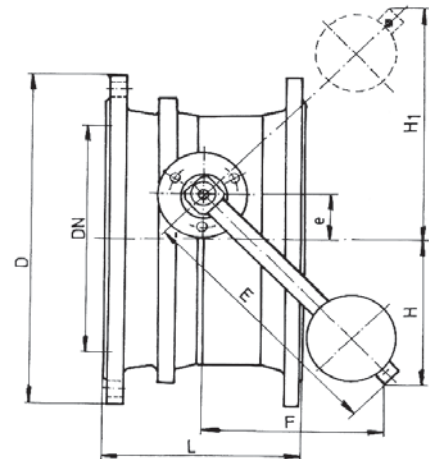
*Other working temperatures possible on request*



Materials / Equipment	
Catalogue No.	05-2081410
Body	GGG 40/50
Disc	GGG 40/50
Seat in the body	Stainless steel
Seat on the disc	Stainless steel
Bearings	Bronze
O-rings	EPDM or NBR
Shafts	Stainless steel 1.4021
Bearing covers	GGG 40/50
Lever	Mild steel
Weight	Cast iron
Bolts and Nuts	Stainless steel A2
Corrosion protection	Epoxy powder coated RAL 5015

Size	Face to face length acc. to DIN EN 558-1 Series 14	Flange Ø	Dimensions						Weight kg	Volume m³
			A mm	B mm	F mm	E mm	H mm	H <sub>1</sub> mm		
200	230	340	250	240	142	200	175	215	54	0.06
250	250	395	310	290	178	250	192	240	70	0.07
300	270	445	340	320	212	300	208	270	95	0.11
350	290	505	380	350	248	350	270	340	140	0.15
400	310	565	410	380	283	400	299	380	190	0.17
450	330	615	420	390	318	450	330	420	210	0.23
500	350	670	490	440	355	500	380	480	240	0.37
600	390	780	555	500	425	600	446	570	360	0.47
700	430	895	630	570	495	700	515	660	520	0.66
800	470	1015	700	650	566	800	605	770	650	0.80
900	510	1115	770	720	638	900	675	860	910	1.26
1000	550	1230	840	790	708	1000	747	950	1,200	1.47
1200	630	1455	915	795	900	1050	802	1000	2,120	2.24
1400	710	1675	1055	875	1096	1200	878	1170	2,950	2.85
1600	790	1915	1215	955	1258	1350	964	1390	4,060	4.60

*We reserve the right to make technical modifications*



## SAUDI VALVES MANUFACTURING

Tel.: +966 3 341 8514 - Fax: +966 3 341 8515

P. O. Box 10137 Jubail Industrial City, 31961 The Kingdom of Saudi Arabia

E-mail: [info@saudivalves.com](mailto:info@saudivalves.com) - Internet: [www.saudivalves.com](http://www.saudivalves.com)

ISO 9001

BUREAU VERITAS  
 Certification



20.03.2009

N° 215125