

Non-Return Valve, tilting type

Metal Seated
 Face to Face: DIN EN 558-1 Series 14
 Pressure Rating: PN 16
 Material of Construction: Ductile Cast Iron GGG 40/50



DN 200 - DN 1600

Catalogue No: 05-2081416

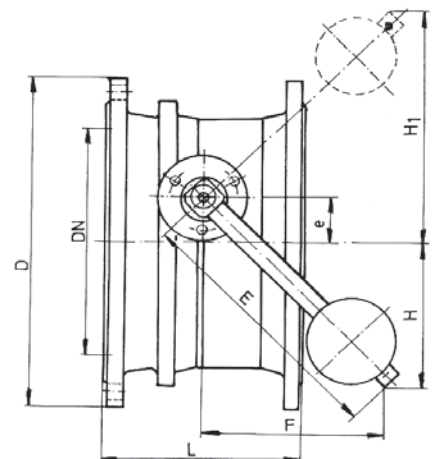
Range of application: Potable water				
Size DN	Pressure rating PN	Hydrotest pressure in bar		Admissible working pressure in bar up to 70°C
		Body	Seat	
200 - 1600	16	24	16	16

In case of order please specify the working conditions

Other working temperatures possible on request

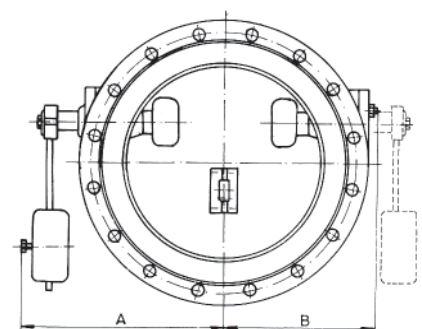


Materials / Equipment	
Catalogue No.	05-2081416
Body	GGG 40/50
Disc	GGG 40/50
Seat in the body	Stainless steel
Seat on the disc	Profile sealing ring EPDM
Bearings	Bronze
O-rings	EPDM or NBR
Shafts	Stainless steel 1.4021
Bearing covers	GGG 40/50
Lever	Mild steel
Weight	Cast iron
Bolts and Nuts	Stainless steel A2
Corrosion protection	Epoxy powder coated RAL 5015



Size DN mm	Face to face length acc. to DIN EN 558-1 Series 14 L mm	Flange D mm	Dimensions						Weight kg	Volume m³
			A mm	B mm	F mm	E mm	H mm	H ₁ mm		
200	230	340	250	240	142	200	175	215	54	0.06
250	250	405	310	290	178	250	192	240	71	0.07
300	270	460	340	320	212	300	208	270	97	0.11
350	290	520	380	350	248	350	270	340	143	0.15
400	310	580	410	380	283	400	299	380	194	0.17
450	330	640	420	390	318	450	330	420	215	0.23
500	350	715	490	440	355	500	380	480	247	0.37
600	390	840	555	500	425	600	446	570	268	0.47
700	430	910	630	570	495	700	515	660	530	0.66
800	470	1025	700	650	566	800	605	770	661	0.80
900	510	1125	770	720	638	900	675	860	922	1.26
1000	550	1255	840	790	708	1000	747	950	1,218	1.47
1200	630	1485	915	795	900	1050	802	1000	2,139	2.24
1400	710	1685	1055	875	1096	1200	878	1170	3,012	2.85
1600	790	1930	1215	955	1258	1350	964	1390	4,105	4.60

We reserve the right to make technical modifications



SAUDI VALVES MANUFACTURING

Tel.: +966 3 341 8514 - Fax: +966 3 341 8515

P. O. Box 10137 Jubail Industrial City, 31961 The Kingdom of Saudi Arabia

E-mail: info@saudivalves.com - Internet: www.saudivalves.com



20.03.2009