

Non-Return Valve, tilting type

Metal Seated
 Face to Face: DIN EN 558-1 Series 14
 Pressure Rating: PN 25
 Material of Construction: Ductile Cast Iron GGG 40/50



DN 200 - DN 500

Catalogue No: 05-2081425

Range of application: Potable water				
Size DN	Pressure rating PN	Hydrost. test pressure in bar		Admissible working pressure in bar up to 70°C
		Body	Seat	
200 - 500	25	37.5	25	25

In case of order please specify the working conditions

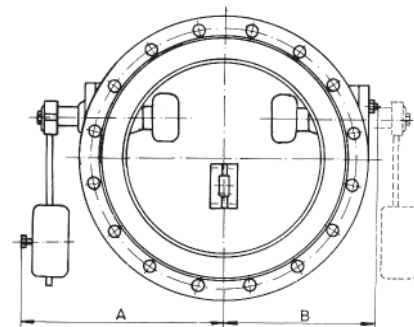
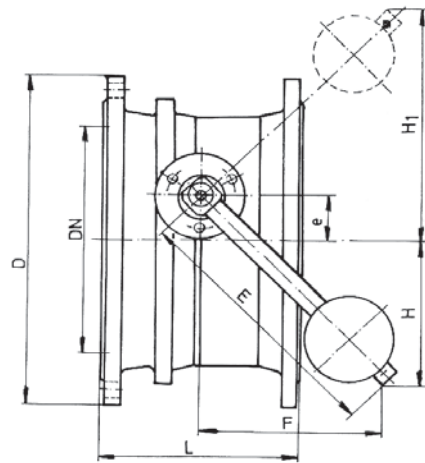
Other working temperatures possible on request



Materials / Equipment	
Catalogue No.	05-2081425
Body	GGG 40/50
Disc	GGG 40/50
Seat in the body	Stainless steel
Seat on the disc	Stainless steel
Bearings	Bronze
O-rings	EPDM or NBR
Shafts	Stainless steel 1.4021
Bearing covers	GGG 40/50
Lever	Mild steel
Weight	Cast iron
Bolts and Nuts	Stainless steel A2
Corrosion protection	epoxy powder coated RAL 5015

Size	Face to face length acc. to DIN EN 558-1 Series 14	Flange Ø	Dimensions						Weight kg	Volume m³
			L mm	D mm	A mm	B mm	F mm	E mm		
200	230	360	250	240	142	200	175	215	64	0.06
250	250	425	310	290	178	250	192	240	79	0.07
300	270	485	340	320	212	300	208	270	106	0.11
350	290	555	380	350	248	350	270	340	156	0.15
400	310	620	410	380	283	400	299	380	215	0.17
450	330	670	420	390	318	450	330	420	245	0.23
500	350	730	490	440	355	500	380	480	598	0.37

We reserve the right to make technical modifications



SAUDI VALVES MANUFACTURING

Tel.: +966 3 341 8514 - Fax: +966 3 341 8515
 P. O. Box 10137 Jubail Industrial City, 31961 The Kingdom of Saudi Arabia
 E-mail: info@saudivalves.com - Internet: www.saudivalves.com

