

Non-Return Valve

Resilient Seated
 Face to Face: DIN EN 558-1 Series 48
 Pressure Rating: PN 16
 Material of Construction: Ductile Cast Iron GGG 40/50



DN 50 - DN 1200

Catalogue No: 05-2084816

Range of application: Potable water				
Size	Pressure rating	Hydrotest pressure in bar		Admissible working pressure in bar
DN	PN	Body	Seat	up to 70°C
50 - 800	16	24	16	16

In case of order please specify the working conditions

Other working temperatures possible on request

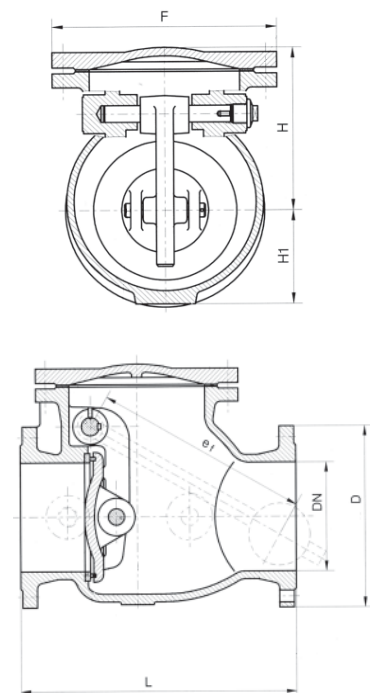
Materials / Equipment	
Catalogue No.	05-2084816
Body	GGG 40/50
Flap	GGG 40/50
Seating in the body	Stainless steel
Seating on the flap	Stainless steel
Shaft sealing	EPDM or NBR
Shaft	Stainless steel 304
Lever	Mild steel
Weight	Cast iron
Bolts and nuts	Stainless steel A2
Corrosion protection	Epoxy powder coated RAL 5015



Nennweite Size	Baulänge nach Face to face length acc. to DIN EN 558-1 Reihe / Series 48	Maße Dimensions						Gewicht Weight	Volumen Volume
		DN mm	L mm	H mm	H ₁ mm	F mm	e ₁ mm		
50	200	130	60	125	155	165	17	0.02	
65	240	155	65	190	175	185	28	0.02	
80	260	170	75	210	175	200	30	0.03	
100	300	200	95	230	195	220	38	0.30	
125	350	225	110	270	225	250	54	0.04	
150	400	240	120	310	240	285	71	0.06	
200	500	280	155	370	290	340	125	0.11	
250	600	330	180	425	300	405	160	0.23	
300	700	360	200	490	325	460	210	0.33	
350	800	410	260	550	498	520	355	0.45	
400	900	450	290	620	567	580	470	0.65	
450	1000	450	290	620	567	625	500	0.83	
500	1100	540	310	730	800	715	720	1.00	
600	1300	630	390	860	900	840	1,310	1.52	
700	1500	795	525	940	1100	910	1,620	2.10	
800	1700	850	610	1060	1300	1025	2,000	3.34	
900	1900	990	558	1180	1200	1125	2,680	4.90	
1000	2100	1015	615	1320	1400	1255	3,900	6.20	
1200	2500	1280	728	1640	1600	1485	4,800	9.80	

Technische Änderungen vorbehalten

We reserve the right to make technical modifications



SAUDI VALVES MANUFACTURING

Tel.: +966 3 341 8514 - Fax: +966 3 341 8515
 P. O. Box 10137 Jubail Industrial City, 31961 The Kingdom of Saudi Arabia
 E-mail: info@saudivalves.com - Internet: www.saudivalves.com

