

Non-Return Valve

Wafer type Resilient Seated
 Pressure Rating: PN 16
 Material of Construction: Stainless Steel
 DN 50 - DN 500



DN 50 - DN 500

Catalogue No: 05-5000016

Range of application: Potable water				
Size	Pressure rating	Hydrost. test pressure in bar		Admissible working pressure in bar
DN	PN	Body	Seat	up to 70°C
50 - 500	16	24	16	16

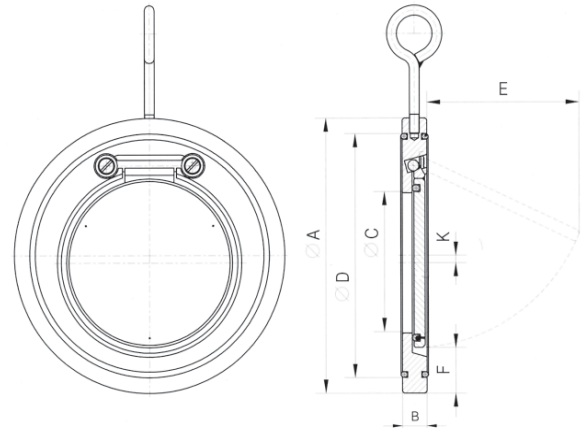
In case of order please specify the working conditions



Materials / Equipment	
Catalogue No.	05-5000016
Body	Stainless steel 1.4571
Flap	Stainless steel 1.4571
Flap sealing	EPDM/NBR
Body sealing	EPDM/NBR
Bolt	Stainless steel A4

Size	Dimensions							Weight	Volume
	A	B	C	D	E	F	K		
DN mm	mm	mm	mm	mm	mm	mm	mm	kg	m³
50	109	17	32	86	37	29	3	3.2	0.01
65	129	17	40	109	50	31	4	3.5	0.01
80	144	17	54	119	61	32	4	3.5	0.02
100	164	21	70	146	77	31	6	6.0	0.02
125	195	18	92	173	98	35	8	7.5	0.03
150	220	20	112	197	120	35	8	8.0	0.05
200	275	22	154	255	160	38	11	11.0	0.09
250	330	26	192	312	190	41	13	12.5	0.13
300	380	32	227	363	220	41	20	20.0	0.19
350	440	38	266	416	250	54	16	26.0	0.24
400	491	44	310	467	290	55	19	29.0	0.29
450	551	50	360	533	310	57	21	42.0	0.31
500	613	56	410	565	350	59	21	53.0	0.37

We reserve the right to make technical modifications



SAUDI VALVES MANUFACTURING

Tel.: +966 3 341 8514 - Fax: +966 3 341 8515
 P. O. Box 10137 Jubail Industrial City, 31961 The Kingdom of Saudi Arabia
 E-mail: info@saudivalves.com - Internet: www.saudivalves.com



N° 215125

20.03.2009