

Butterfly Valve according to DIN EN 593

Resilient Seated
 Face to Face: DIN EN 558-1 Series 14
 Pressure Rating: PN 10
 Material of Construction: Ductile Cast Iron GGG 40/50



DN 80 - DN 2000

Catalogue No: 06-2021410

Range of application: Potable water				
Size DN	Pressure rating PN	Hydrotest pressure in bar		Admissible working pressure in bar up to 70°C
		Body	Seat	
80 - 2000	10	15	10	10

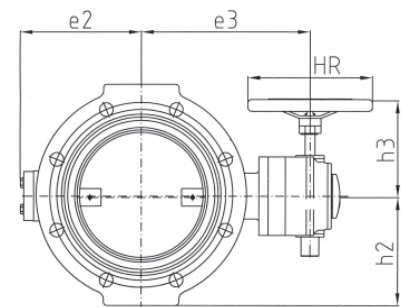
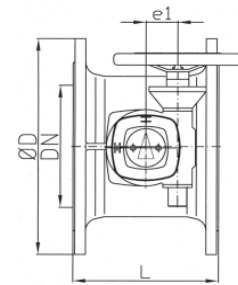
In case of order please specify the working conditions



Materials / Equipment	
Catalogue No.	06-2021410
Body	GGG 40/50
Disc	GGG 40/50
Seating in the body	Stainless steel
Retaining ring	GGG 40/50
Profile sealing ring	EPDM or NBR
Bearing bushes	Bronze
Shafts	Stainless steel 1.4021
Bearing covers	GGG 40/50
O-rings	EPDM or NBR
Bolts and nuts	Stainless steel A2
Corrosion protection	Epoxy powder coated RAL 5015
Gearbox	Wormgearbox
Handwheel	Steel, black coated

Size DN mm	Face to face length acc. to DIN EN 558-1 Series 14 L mm	Flange D mm	Handwheel HR mm	Dimensions					Weight ~ kg	Volume ~ m³
				h ₂ mm	h ₃ mm	e ₁ mm	e ₂ mm	e ₃ mm		
80	180	200	125	143	105	50	115	198	27	0.02
100	190	220	125	143	115	50	130	213	33	0.02
125	200	250	125	143	135	50	145	233	36	0.03
150	210	285	150	145	145	50	165	238	42	0.04
200	230	340	200	150	185	50	195	273	53	0.05
250	250	395	200	150	205	50	215	303	69	0.07
300	270	445	300	200	230	63	255	340	90	0.11
350	290	505	300	200	260	63	290	380	116	0.15
400	310	565	400	205	285	80	330	453	161	0.24
450	330	615	400	205	315	80	365	468	190	0.28
500	350	670	400	285	340	100	390	520	250	0.35
600	390	780	500	285	385	100	450	595	335	0.55
700	430	895	400	337	450	125	535	665	507	0.67
800	470	1015	400	337	510	125	585	720	657	0.85
900	510	1115	400	415	565	160	650	780	930	1.12
1000	550	1230	500	415	710	160	710	845	1,174	1.52
1100	590	1340	400	520	810	200	775	920	1,456	1.85
1200	630	1455	500	520	860	200	840	990	1,862	2.11
1400	710	1675	500	540	785	230	1065	970	3,600	2.85
1500	750	1820	500	540	680	230	1170	1090	4,350	3.45
1600	790	1930	500	540	730	230	1285	1240	4,700	4.60
1800	870	2115	500	540	785	230	1390	1360	5,600	5.40
2000	950	2325	500	540	890	230	1410	1490	6,350	6.60

We reserve the right to make technical modifications



SAUDI VALVES MANUFACTURING

Tel.: +966 3 341 8514 - Fax: +966 3 341 8515
 P. O. Box 10137 Jubail Industrial City, 31961 The Kingdom of Saudi Arabia
 E-mail: info@saudivalves.com - Internet: www.saudivalves.com



20.03.2009