

Butterfly Valve according to AWWA C 504

RResilient Seated
 Face to Face: DIN EN 558-1 Series 13
 Pressure Rating: # 150
 Material of Construction: Ductile Cast Iron GGG 40/50



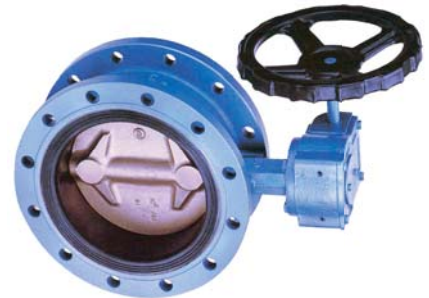
DN 50- DN 1800

Catalogue No: 06-2021315

Range of application: Potable water				
Size DN	Pressure rating	Hydrotest pressure in psi		Admissible working pressure in psi up to 70°C
	Class	Body	Seat	
50 - 1800	150	225	165	150

In case of order please specify the working conditions

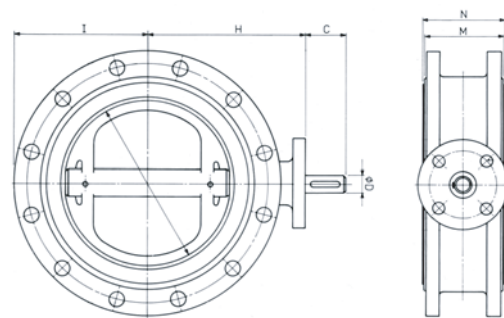
Materials / Equipment	
Catalogue No.	06-2021315
Body	GGG acc. to ASTM A 536 Grade 65-45-12
Disc	Stainless steel acc. to ASTM A 276 Grade 304
Seating in the body	NBR rubber / EPDM rubber
Shafts	Stainless steel acc. to ASTM A 276 Grade 304
Bearing bushes	Bronze
Bearing covers	GGG acc. to ASTM A 536 Grade 65-45-12
O-rings	EPDM or NBR
Bolts and nuts	Stainless steel acc. to ASTM A 276 Grade 304
Corrosion protection	Epoxy powder coated RAL 5015 thickness min. 300 microns
Gearbox	Wormgearbox
Handwheel	Steel, black coated



Size DN mm	Face to face length acc. to DIN EN 558-1 Series 13 M mm	Dimensions				Weight ~ kg	Volume ~ m³
		D mm	I mm	H mm	C mm		
50	108	10	83	120	40	27	0.02
65	112	10	83	130	40	27	0.02
80	114	16	100	135	50	27	0.02
100	127	16	115	150	50	33	0.02
125	140	16	127	160	50	36	0.03
150	140	20	143	175	50	42	0.04
200	152	20	170	205	50	56	0.05
250	165	25	204	245	60	79	0.10
300	178	25	242	285	60	104	0.14
350	190	30	268	310	80	142	0.22
400	216	35	299	340	80	194	0.30
450	222	40	365	395	90	244	0.36
500	229	45	370	430	90	299	0.48
600	267	55	425	500	110	360	0.58
700	292	70	495	550	110	790	0.72
800	318	80	550	620	120	1,050	0.85
900	330	90	625	675	120	1,520	1.35
1000	410	90	680	740	120	1,820	1.55
1100	410	100	765	770	300	2,550	1.75
1200	470	110	810	875	300	2,890	2.35
1400	530	115	910	950	325	3,920	3.25
1500	530	140	960	1015	325	5,350	3.95
1600	600	145	1010	1030	325	6,410	4.60
1800	670	170	1120	1200	325	7,050	6.10

We reserve the right to make technical modifications

Flanges flat faced



SAUDI VALVES MANUFACTURING

Tel.: +966 3 341 8514 - Fax: +966 3 341 8515
 P. O. Box 10137 Jubail Industrial City, 31961 The Kingdom of Saudi Arabia
 E-mail: info@saudivalves.com - Internet: www.saudivalves.com

ISO 9001

BUREAU VERITAS
 Certification



20.03.2009

N° 215125