

Butterfly Valve according to DIN EN 593 with Electric Actuator

Resilient Seated
 Face to Face: DIN EN 558-1 Series 14
 Pressure Rating: PN 10
 Material of Construction: Ductile Cast Iron GGG 40/50



DN 80 - DN 2000

Catalogue No: 06-2031410

Range of application: Potable water				
Size DN	Pressure rating PN	Hydrostest pressure in bar		Admissible working pressure in bar up to 70°C
		Body	Seat	
80 - 2000	10	15	10	10

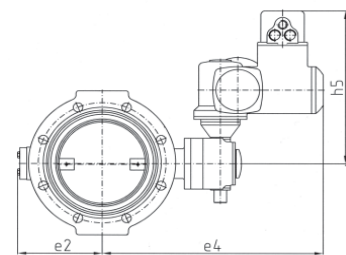
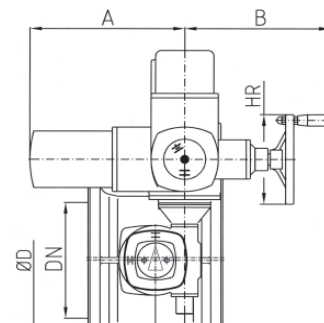
In case of order please specify the working conditions

Materials / Equipment	
Catalogue No.	06-2031410
Body	GGG 40/50
Disc	GGG 40/50
Seating in the body	Stainless steel
Retaining ring	GGG 40/50
Profile sealing ring	EPDM or NBR
Bearing bushes	Bronze
Shafts	Stainless steel 1.4021
Bearing covers	GGG 40/50
O-rings	EPDM or NBR
Bolts and nuts	Stainless steel A2
Corrosion protection	Epoxy powder coated RAL 5015
Gearbox	Wormgearbox
Electric actuator	Auma or equivalent



Size DN mm	Face to face length acc. to DIN EN 558-1 Series 14 L mm	Flange D mm	Handwheel HR mm	Dimensions						Weight ~ kg	Volume ~ m³
				A mm	B mm	h ₅ mm	e ₁ mm	e ₂ mm	e ₄ mm		
80	180	200	160	265	249	418	50	115	435	41	0.15
100	190	220	160	265	249	418	50	130	450	47	0.16
125	200	250	160	265	249	418	50	145	470	50	0.17
150	210	285	160	265	249	418	50	165	475	56	0.19
200	230	340	160	265	249	418	50	195	510	67	0.21
250	250	395	160	265	249	443	63	215	547	88	0.25
300	270	445	160	265	249	448	80	255	595	114	0.29
350	290	505	160	265	249	448	80	290	635	138	0.33
400	310	565	160	265	249	562	100	330	717	191	0.45
450	330	615	160	265	249	562	100	365	732	220	0.49
500	350	670	160	265	249	562	100	390	757	266	0.53
600	390	780	160	265	249	567	125	450	832	374	0.63
700	430	895	160	265	249	598	160	535	902	571	1.00
800	470	1015	160	265	249	598	160	585	957	721	1.16
900	510	1115	160	265	249	541	200	650	1037	1,029	1.55
1000	550	1230	160	265	249	663	200	710	1102	1,271	1.90
1100	590	1340	200	282	249	663	200	710	1102	1,621	2.30
1200	630	1455	200	282	254	665	200	840	1237	1,895	2.56
1400	710	1675	315	384	329	885	250	975	1409	2,620	2.95
1500	750	1820	315	384	329	885	250	1030	1476	3,105	3.45
1600	790	1930	315	282	254	885	315	1095	1534	4,915	4.85
1800	870	2115	315	282	254	885	315	1215	1652	5,820	5.60
2000	950	2325	315	282	254	1015	315	1345	1768	7,250	7.20

We reserve the right to make technical modifications



SAUDI VALVES MANUFACTURING

Tel.: +966 3 341 8514 - Fax: +966 3 341 8515

P. O. Box 10137 Jubail Industrial City, 31961 The Kingdom of Saudi Arabia

E-mail: info@saudivalves.com - Internet: www.saudivalves.com

ISO 9001

BUREAU VERITAS
 Certification



20.03.2009

N° 215125