

Butterfly Valve according to DIN EN 593 with Electric Actuator

Resilient Seated
 Face to Face: DIN EN 558-1 Series 14
 Pressure Rating: PN 25
 Material of Construction: Ductile Cast Iron GGG 40/50



DN 80 - DN 1500

Catalogue No: 06-2031425

Range of application: Potable water				
Size DN	Pressure rating PN	Hydrotest pressure in bar		Admissible working pressure in bar up to 70°C
		Body	Seat	
80 - 1500	25	37.5	25	25

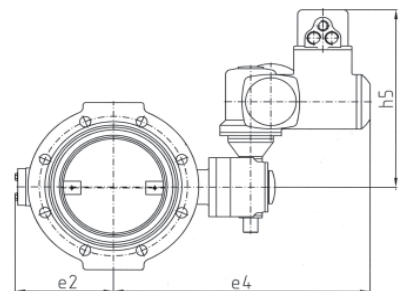
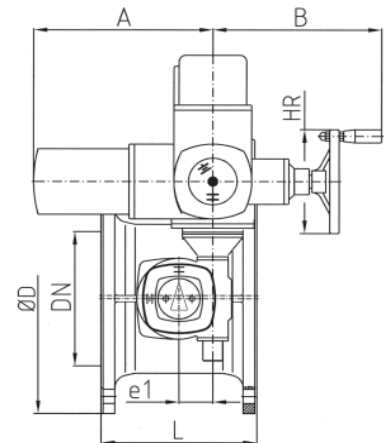
In case of order please specify the working conditions

Materials / Equipment	
Catalogue No.	06-2031425
Body	GGG 40/50
Disc	GGG 40/50
Seating in the body	Stainless steel
Retaining ring	GGG 40/50
Profile sealing ring	EPDM or NBR
Bearing bushes	Bronze
Shafts	Stainless steel 1.4021
Bearing covers	GGG 40/50
O-rings	EPDM or NBR
Bolts and nuts	Stainless steel A2
Corrosion protection	Epoxy powder coated RAL 5015
Gearbox	Wormgearbox
Electric actuator	Auma or equivalent



Size DN mm	Face to face length acc. to DIN EN 558-1 Series 14 L mm	Flange D mm	Handwheel HR mm	Dimensions						Weight ~ kg	Volume ~ m³
				A mm	B mm	h ₅ mm	e ₁ mm	e ₂ mm	e ₄ mm		
80	180	200	160	265	249	418	50	115	435	41	0.15
100	190	235	160	265	249	418	50	130	450	52	0.18
125	200	270	160	265	249	418	50	145	470	58	0.19
150	210	300	160	265	249	418	80	168	475	68	0.20
200	230	360	160	265	249	418	80	210	510	90	0.26
250	250	425	160	265	249	443	100	230	567	124	0.30
300	270	485	160	265	249	448	125	280	604	156	0.38
350	290	555	160	265	249	448	125	312	673	225	0.52
400	310	620	160	265	249	562	125	352	708	268	0.59
450	330	670	160	265	249	562	160	395	757	342	0.70
500	350	730	160	265	249	562	160	420	787	392	0.79
600	390	845	160	265	249	567	160	492	857	495	1.02
700	430	960	160	265	249	598	200	535	902	798	1.32
800	470	1085	160	265	249	598	200	585	957	1,096	1.46
900	510	1185	160	265	249	541	250	650	1037	1,398	1.92
1000	550	1320	160	265	249	663	250	710	1102	1,895	2.36
1100	590	1430	200	282	249	663	315	710	1102	2,385	2.76
1200	630	1530	200	282	254	665	315	840	1237	2,695	3.01
1400	710	1755	200	384	329	885	400	975	1409	3,624	3.52
1500	750	1820	200	384	329	885	400	1030	1476	4,652	4.30

We reserve the right to make technical modifications



SAUDI VALVES MANUFACTURING

Tel.: +966 3 341 8514 - Fax: +966 3 341 8515
 P. O. Box 10137 Jubail Industrial City, 31961 The Kingdom of Saudi Arabia
 E-mail: info@saudivalves.com - Internet: www.saudivalves.com



N° 215125

20.03.2009