

Butterfly Valve according to DIN EN 593 with Electric Actuator

Metal Seated
 Face to Face: DIN EN 558-1 Series 14
 Pressure Rating: PN 100
 Material of Construction: Cast Steel GS-C 25



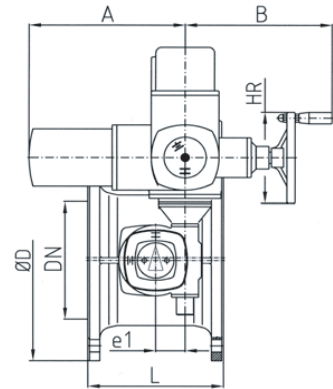
DN 200 - DN 1000

Catalogue No: 06-30314100

Range of application: Potable water				
Size DN	Pressure rating PN	Hydrotest pressure in bar		Admissible working pressure in bar up to 70°C
		Body	Seat	
200 - 1000	100	150	110	100

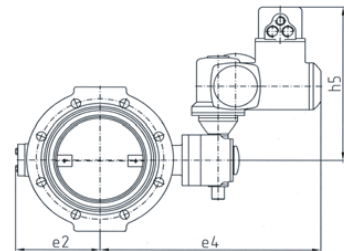
In case of order please specify the working conditions

Materials / Equipment	
Catalogue No.	06-30314100
Body	GS-C 25
Disc	GS-C 25
Seating in the body	Stainless steel
Retaining ring	Carbon steel
Profile sealing ring	Stainless steel
Bearing bushes	Bronze
Shafts	stainless steel 1.4460
Bearing covers	GS-C 25
Shaft sealing	Graphite
Bolts and nuts	Stainless steel A2
Corrosion protection	Epoxy powder coated RAL 5015
Gearbox	Wormgearbox
Electric actuator	Auma or equivalent



Size DN mm	Face to face length acc. to DIN EN 558-1 Series 14 L mm	Flange D mm	Handwheel HR mm	Dimensions						Weight ~ kg	Volume ~ m³
				A mm	B mm	h ₅ mm	e ₁ mm	e ₂ mm	e ₄ mm		
200	230	415	160	265	249	438	112	230	610	162	0.33
250	250	470	160	265	249	463	164	250	667	223	0.38
300	270	530	160	265	249	468	164	300	704	281	0.48
350	290	600	160	265	249	468	164	332	787	405	0.65
400	310	670	160	265	249	582	183	372	808	482	0.74
500	350	800	160	265	249	582	183	440	878	705	0.99
600	390	930	160	265	249	587	192	512	957	891	1.28
700	430	1045	160	265	249	618	214	555	1002	1,436	1.65
800	470	1165	160	265	249	618	214	615	1057	1,972	1.83
900	510	1285	160	265	249	744	256	670	1137	2,516	2.40
1000	550	1415	160	265	249	765	256	730	1202	3,411	2.95

We reserve the right to make technical modifications



SAUDI VALVES MANUFACTURING

Tel.: +966 3 341 8514 - Fax: +966 3 341 8515
 P. O. Box 10137 Jubail Industrial City, 31961 The Kingdom of Saudi Arabia
 E-mail: info@saudivalves.com - Internet: www.saudivalves.com

