

# Single Orifice Air Valve with Small Orifice

Pressure Rating: PN 16  
 Material of Construction: Ductile Cast Iron GGG 40/50



DN 50- DN 300

Catalogue No: 8-2210016-SM

Range of application: Potable water				
Size DN	Pressure rating PN	Hydrost. test pressure in bar		Admissible working pressure in bar up to 70°C
		Body	Seat	
50 - 300	16	24	16	16

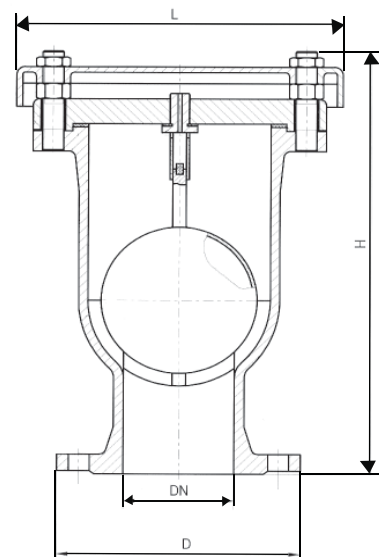
*In case of order please specify the working conditions*



Materials / Equipment	
Catalogue No.	8-2210016-SM
Body	GGG 40/50
Covers	GGG 40/50
Ball	Stainless steel 1.4301
Gaskets	EPDM or NBR
Bolts and nuts	Stainless steel A2
Corrosion protection	Epoxy powder coated RAL 5015

size DN mm	Dimensions			Weight kg	Volume m <sup>3</sup>
	D mm	L mm	H mm		
50	165	180	260	14	0.01
80	200	230	294	20	0.02
100	220	280	353	35	0.02
150	285	380	412	70	0.04
200	340	450	580	120	0.09
250	405	450	580	135	0.11
300	460	450	580	145	0.01

*We reserve the right to make technical modifications*



## SAUDI VALVES MANUFACTURING

Tel.: +966 3 341 8514 - Fax: +966 3 341 8515  
 P. O. Box 10137 Jubail Industrial City, 31961 The Kingdom of Saudi Arabia  
 E-mail: [info@saudivalves.com](mailto:info@saudivalves.com) - Internet: [www.saudivalves.com](http://www.saudivalves.com)



N° 215125