

# Double Orifice Air Valve with Integrated Isolation Valve



Pressure Rating: PN 10  
Material of Construction: Ductile Cast Iron GGG 40/50

DN 50 - DN 200

Catalogue No: 8-2230010

## Range of application: Potable water

| Size<br>DN | Pressure rating<br>PN | Hydrotest pressure in bar |      | Admissible working pressure in bar<br>up to 70°C |
|------------|-----------------------|---------------------------|------|--|
|            |                       | Body                      | Seat |  |
| 50 - 200   | 10                    | 15                        | 10   | 10   |

*In case of order please specify the working conditions*

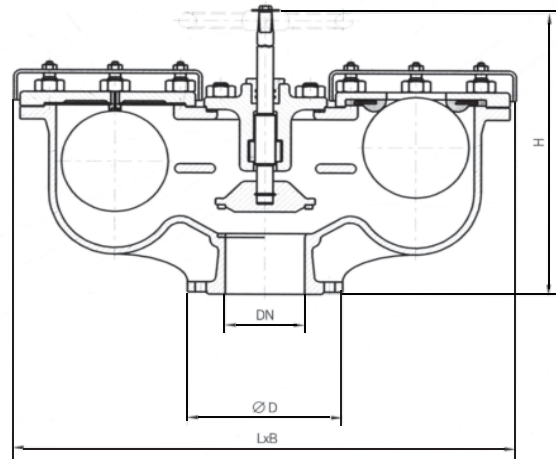
## Materials / Equipment

| Catalogue No.          | 8-2230010                    |
|------------------------|------------------------------|
| Body                   | GGG 40/50                    |
| Covers                 | GGG 40/50                    |
| Balls                  | Stainless steel 1.4301       |
| Gaskets                | EPDM or NBR                  |
| Stem                   | Stainless steel 1.4021       |
| Valve seat in the body | Bronze                       |
| Valve seat on the cone | Bronze                       |
| Bolts and nuts         | Stainless steel A2           |
| Corrosion protection   | Epoxy powder coated RAL 5015 |
| Handwheel              | GGG 40/50                    |



| size<br>DN<br>mm | Dimensions |         |         |         | Weight<br>kg | Volume<br>m³ |
|------------------|------------|---------|---------|---------|--------------|--------------|
|                  | D<br>mm    | L<br>mm | B<br>mm | H<br>mm |              |              |
| 50               | 165        | 390     | 170     | 305     | 30           | 0.02         |
| 80               | 200        | 600     | 250     | 395     | 65           | 0.06         |
| 100              | 220        | 700     | 280     | 455     | 102          | 0.09         |
| 150              | 285        | 930     | 400     | 560     | 230          | 0.21         |
| 200              | 340        | 1100    | 500     | 690     | 370          | 0.38         |

*We reserve the right to make technical modifications*



## SAUDI VALVES MANUFACTURING

Tel.: +966 3 341 8514 - Fax: +966 3 341 8515  
P. O. Box 10137 Jubail Industrial City, 31961 The Kingdom of Saudi Arabia  
E-mail: [info@saudivalves.com](mailto:info@saudivalves.com) - Internet: [www.saudivalves.com](http://www.saudivalves.com)

ISO 9001

BUREAU VERITAS  
Certification



N° 215125

20.03.2009