

Double Orifice Air Valve

Pressure Rating: PN 64
Material of Construction: Cast Steel



DN 50 - DN 200

Catalogue No: 8-3220064-SDE

Range of application: Potable water				
Size DN	Pressure rating PN	Hydrotest pressure in bar		Admissible working pressure in bar up to 70°C
		Body	Seat	
50 - 200	64	96	70	64

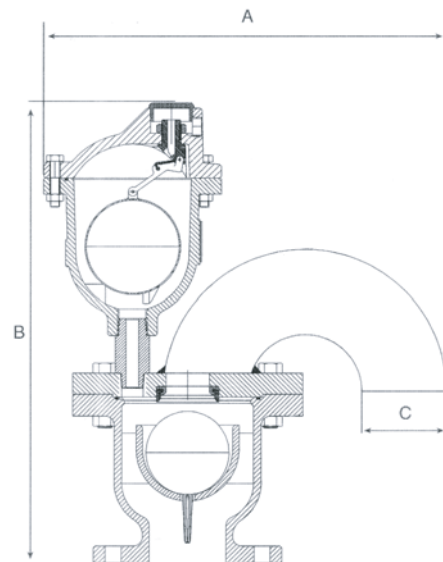
In case of order please specify the working conditions



Materials / Equipment	
Catalogue No.	8-3220064-SDE
Bodies	Cast steel
Covers	Cast steel
Balls	Polycarbonate - Stainless steel 316
Gaskets	EPDM or NBR
Nozzle seat	Bronze
Bolts and Nuts	Stainless steel A2
Corrosion protection	Epoxy powder coated RAL 5015

Size DN mm	Dimensions			Weight kg	Volume m ³
	A mm	B mm	C mm		
50	330	478	60	24	0.05
80	447	513	89	30	0.10
100	468	595	89	39	0.13
150	577	727	124	90	0.24
200	577	727	124	95	0.24

We reserve the right to make technical modifications



SAUDI VALVES MANUFACTURING

Tel.: +966 3 341 8514 - Fax: +966 3 341 8515

P. O. Box 10137 Jubail Industrial City, 31961 The Kingdom of Saudi Arabia

E-mail: info@saudivalves.com - Internet: www.saudivalves.com

