

Gate Valve according to DIN EN 1171

Resilient Seated with Socket for PVC pipes
 Pressure Rating: PN 16
 Material of Construction: Ductile Cast Iron GGG 40/50



DN 80 - DN 200

Catalogue No: 01-2010016-PVC

Range of application Potable water				
Size DN	Pressure rating PN	Hydrotest pressure in bar		Admissible working pressure in bar up to 70°C
		Body	Seat	
80 - 200	16	24	16	16

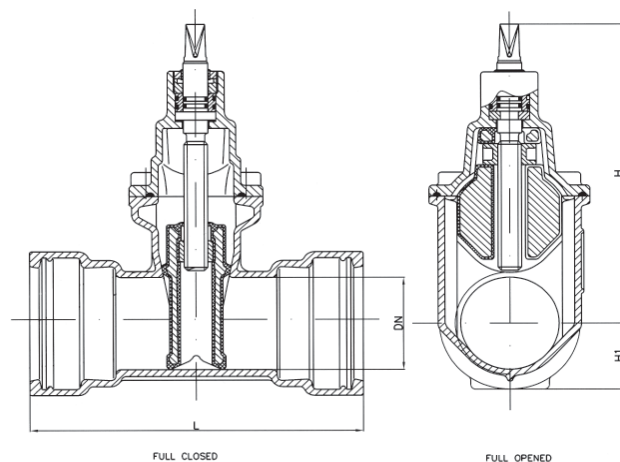
In case of order please specify the working conditions



Materials / Equipment	
Catalogue No.	01-2010016-PVC
Body	GGG 40/50
Wedge	GGG 40/50 rubber lined
Wedge rubber sealing	EPDM or NBR
Bonnte	GGG 40/50
Stem	Stainless steel 1.4021
Stemnut	Bronze
Stem guidebush	Bronze
O-rings	EPDM or NBR
Sliding disc	POM
Corrosion protection	Epoxy powder coated RAL501
Handwheel	Steel, black coated

Size	Dimensions			Weight kg	Volume m³
	L mm	H ₁ mm	H mm		
DN mm					
80	285	76	290	22	0.02
100	300	76	340	27	0.03
150	350	120	460	49	0.05
200	355	150	540	70	0.08

We reserve the right to make technical modifications



SAUDI VALVES MANUFACTURING

Tel.: +966 3 341 8514 - Fax: +966 3 341 8515
 P. O. Box 10137 Jubail Industrial City, 31961 The Kingdom of Saudi Arabia
 E-mail: info@saudivalves.com - Internet: www.saudivalves.com

